

GAT eco.time ST270 Personal Time Terminal

Application

The stylish terminal GAT eco.time ST270 offers the complete functionality of a personal time and attendance acquisition device though it is compact enough for installation at almost every workplace.

The high-contrast, graphical LC display allows for user friendly display of icons for user guidance, which makes the terminal the ideal solution especially for internationally operating companies.

The selection of the standard functions like „Coming“ and „Leaving“ as well as the call for absent reasons and the display of personnel account information is performed via the function keys. The persons comfortably identify themselves with their non-contact RFID data carriers. A further extension by an additional finger print reader is possible at any time.



Functional description

The desired function is selected by the function keys or set automatically according to time-dependent settings. For making a time booking the persons identify themselves with their personal data carriers at the illuminated reader. Confirmation of the booking is given acoustically and graphically at the display and is also optically signalled by a multi-colour light bar.

In online operation the terminal presents the person his name and further important information at the display. The persons can also make a request to show up to two personnel account information at the display. The number of authorised persons is not limited by the terminal. Even if the Ethernet connection to the PC shall not be possible temporarily, the terminal will still save up to 2,000 bookings in the internal memory.

Highlights

- Very compact dimensions and stylish design
- Language-independent user guidance via clear icons
- Clear signalling by light bar display
- Modern network capabilities due to integrated Ethernet connection
- Online functionality with emergency operation
- Integrated RFID reader, can be extended by finger print reader

Order information

Description	PartNo.
GAT ST 270	140522
Personal Time Terminal with LEGIC® Prime reader, graphical LC display, Ethernet interface	

Accessories

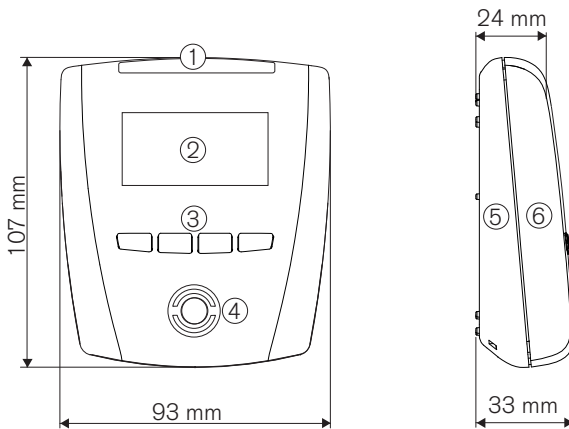
Description	PartNo.
GAT FR 050	564078
Fingerprint reader for connection to a GAT eco.time ST270, for wall mounting	
GAT Reader WK	581683
Tool to open the reader housing	

Technical data

Nominal voltage U_{DC} :	12/24 V
Permitted input voltage U_{DC} :	12 to 24 V
Max. power consumption:	3 W
Data storage:	Internal EEPROM memory for configuring and booking memory, data preservation min. 10 years
Internal clock:	Data preservation approx. 8 h (gold-cap)
Reader type:	LEGIC® Prime
Frequency of reading field:	13.56 MHz
Control elements:	- 4 function keys - RFID reader
Display elements:	- Graphical black&white display (LCD) with white LED background light, resolution 128 x 64 pixels, visible area 50 x 25 mm - RFID reader (illuminated) - Acoustic signal - Bar display with LED segments in different colours

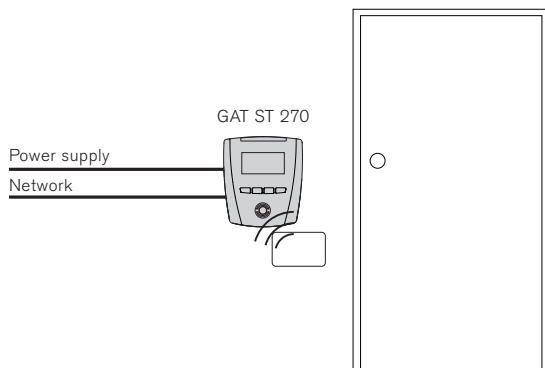
Host interface:	Ethernet 10/100 Mbit/s
Connection terminals:	0.5 to 1.5 mm ²
Housing material:	- Upper part: plastic PMMA - Back part: plastic PC-ABS
Dimensions:	93 x 107 x 33 mm
Permitted ambient temperature:	0 to +50°C
Storage temperature:	-10 to +60°C
Relative humidity:	20 to 80%, non-condensing
Protection type:	IP 54
Protection class:	III
Weight:	0.2 kg
Environment class based on VDS 2110:	II (conditions in indoor areas)

Dimensions



1. LED status display
2. Display (LCD)
3. Function keys
4. Illuminated round scan field
5. Device back part
6. Device upper part

Typical application



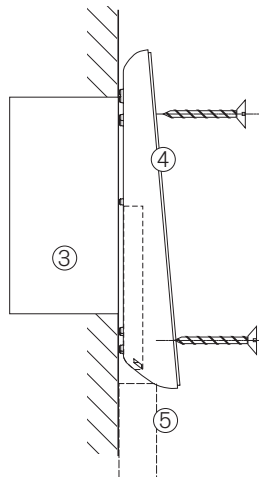
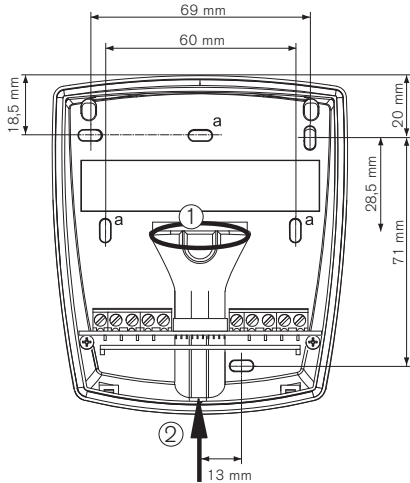
Mounting and installation instructions

The device back part is secured by screws to a flat background (e.g. concrete wall). When fixing to an uneven background the device back part must not be distorted as this will prevent correct connection of the upper part. Recommended mounting height: top edge of the device 1.3 m. Use the drilling template which is attached to the device.

Wall mounting

Cables can be flush (1) or surface-mounted (2).

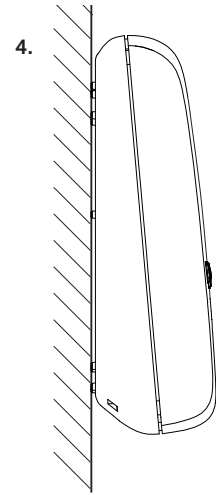
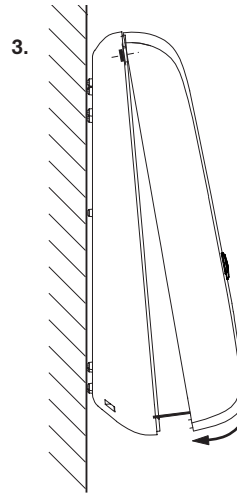
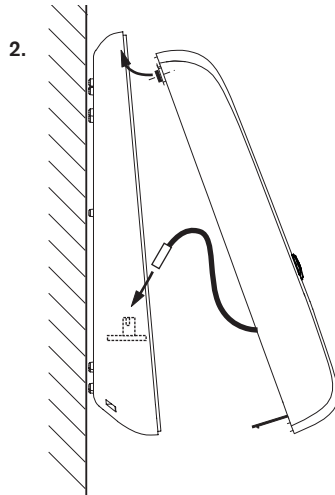
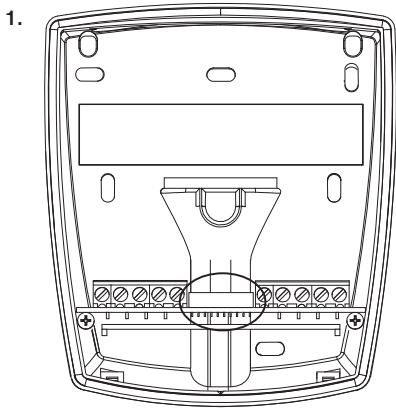
When surface mounting please check whether the cables can still be inserted once the device back part has been mounted, otherwise run the cables through the cable lead-ins prior to securing.



1. Flush-mounted cable
2. Surface-mounted cable
3. Back box
4. Device back part
5. Cable conduit for surface cable connection

Mounting the device upper part

Once the connection cables are terminated, the device back part and upper part are connected together via a connection cable (already connected in the upper part) and the two parts are fixed together.



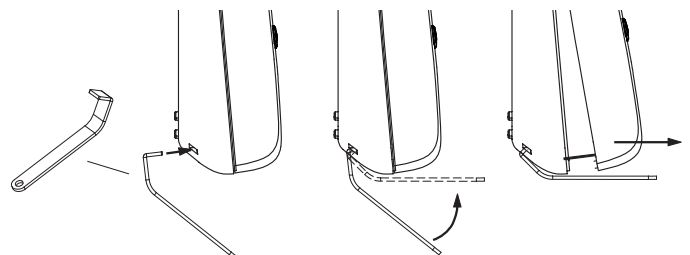
Notes:

1. Check the socket in the device upper part (circled figure 1). Dirt, dust and humidity must be removed so that a good contact of the connection cable is guaranteed. No aggressive detergent may be used. Please do not damage socket contacts.

Attention: Cleaning only in powerless state.

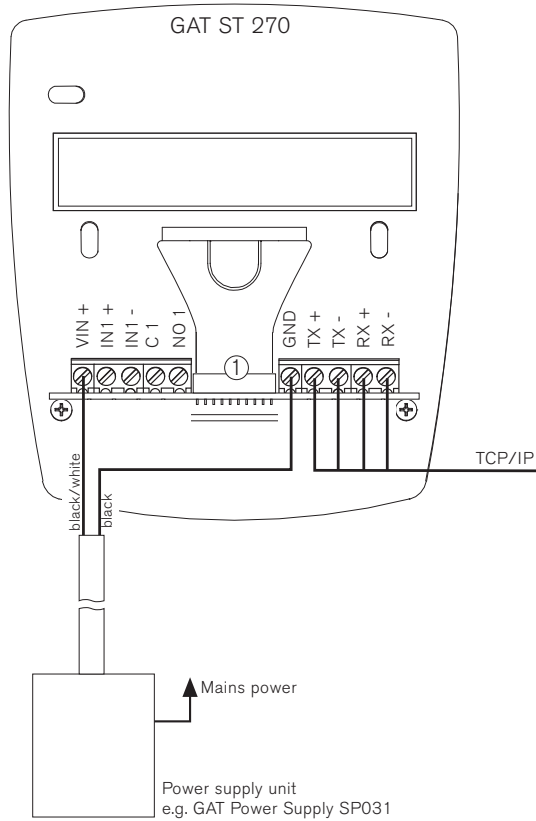
2. Plug in the connection cable into the socket in the device back part (consider alignment) and clip the top of the device upper part into the device back part.

3. Swing down the device upper part until it clicks.
4. The device can only be opened with the supplied special tool! With this two catches on the bottom of the device can be unlocked in succession.



Electrical connections

TCP/IP with external power supply



Network

Ethernet, connection via screw terminals

Power supply

DC supply (see technical data), e.g. via GANTNER GAT Power Supply SP031. The power input is protected against reverse-polarity.

Recommended cables:

Ethernet: min. CAT 5 (STP) for 100 MBit

RS 485: min. CAT 5 (STP), power supply via 2 wire-pairs




Wire colours:

	Ethernet 10/100 MBit	
	568A	568B
TX +	green/white	orange/white
TX -	green	orange
RX +	orange/white	green/white
RX -	orange	green

Connection to the device upper part

Attention: The socket (1) for the connection cable between the device back part and the device upper part must be clean in order to guarantee a good contact.

Safety instructions

-  - This device must be installed by qualified personnel only.
-  - The applicable safety and accident prevention regulations must be observed.
- Safety devices must not be removed.
- Please observe the technical data of the device specified on the data sheet.
-  - The device must be disconnected from the power supply prior to installation, assembly or dismantling.