

GAT Vending 6100 BA

Cashless Payment Terminal for Vending Machines

Application

The GAT Vending 6100 BA is a read/write terminal that provides a cashless payment solution for vending machines. System users are identified by the GAT Vending 6100 BA via contactless RFID (Radio Frequency Identification) data carriers.

The high-contrast display can be configured to display messages and icons for user guidance, which makes the GAT Vending 6100 BA the ideal solution for all vending applications.



GAT Vending 6100 BA

Functional description

The GAT Vending 6100 BA reads the RFID data carriers of system users, checks the authorization validity and controls the vending machine via a standard MDB interface.

To purchase an item from a GAT Vending 6100 BA equipped vending machine, the user holds their data carrier next to the RFID reading field at the bottom of the terminal and selects the item. If the purchase is approved, the cost of the item is debited from the data carrier (offline) or from the user's account (online) and the vending machine releases the item. The GAT Vending 6100 BA can also display the cost of the item and the updated account balance.

Money is credited to the user's data carrier or account at the point of sale or via the vending machine.

Highlights

- Secure data transmission between terminal and data carrier
- Secure balance handling
- Offline operation for LEGIC data carriers (LEGIC Prime and LEGIC Advant) with GANTNER standard cash coding
- Online operation for LEGIC, MIFARE® Classic, MIFARE DESFire® and ISO 15693 data carriers (with emergency mode)
- NFC ready
- MDB vending machine interface
- White/blacklist for authorizing/blocking data carriers
- Simple installation on the vending machine
- Convenient configuration via LAN
- Fully integrated in the GANTNER device family

Order information

Description	Part No.
GAT Vending 6100 BA	642933
LEGIC Advant cashless payment terminal, MDB and LAN interfaces, includes GAT Vending MDB cable	

Accessories

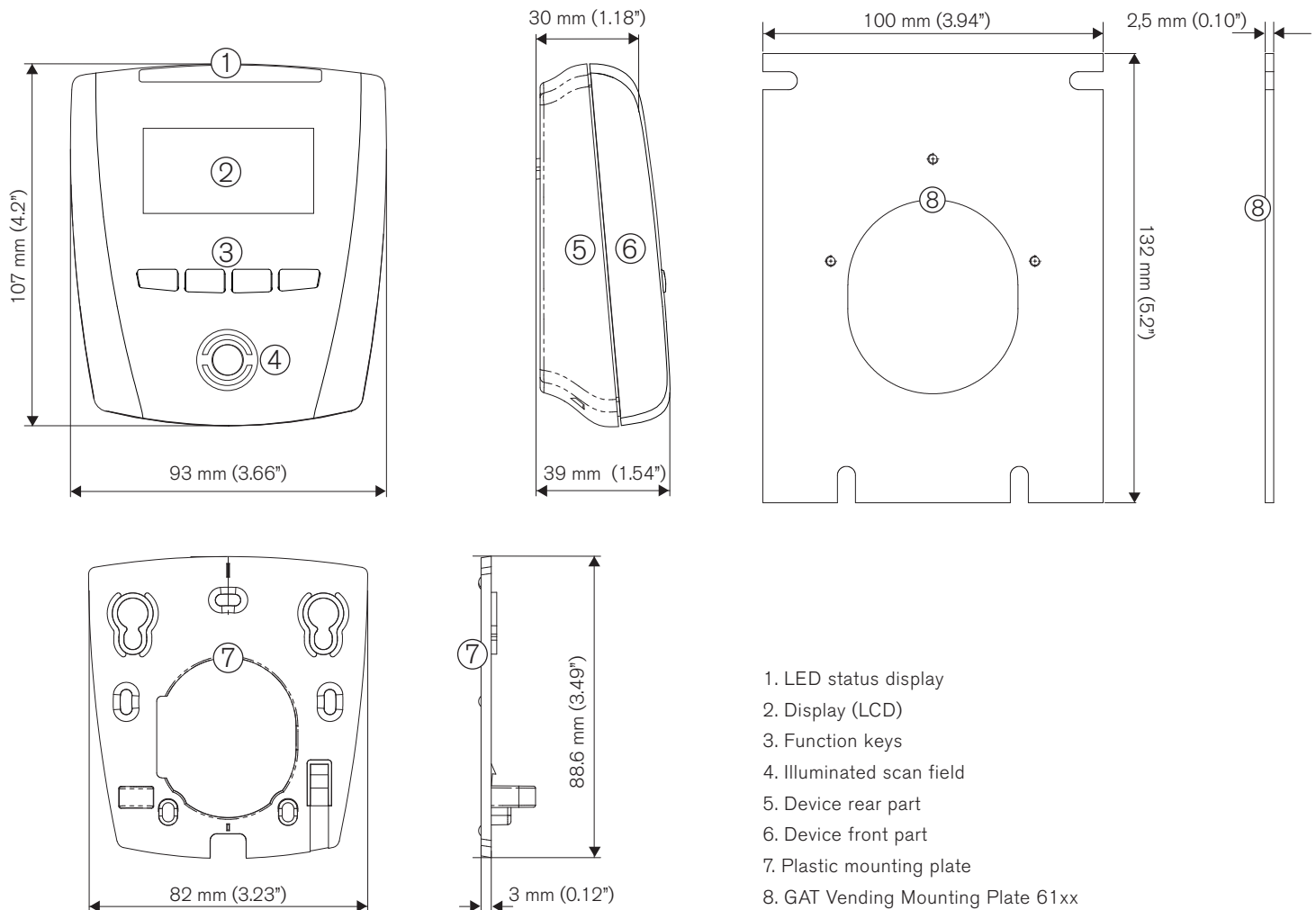
Description	Part No.
GAT Vending MDB Kabel	721224
Connection cable for MDB interface	
GAT Vending Mounting Plate 61xx	905127
for GAT Vending 61xx series, for installation in standard EVA recesses in vending machines	

Technical data

Permitted input voltage:	DC 20 to 35 V (MDB)
Max. current consumption:	200 mA
Max. transmission power:	200 mW
Reader type:	Multi-technology RFID reader
Frequency of reading field	13.56 MHz
Data carriers	
- Read/write:	LEGIC Prime / LEGIC Advant
- Only unique number:	MIFARE® Classic / MIFARE DESFire®
	HID iClass
	ISO 14443B
	ISO 15693
Display elements:	<ul style="list-style-type: none"> - Graphical black & white LCD with white LED backlighting, 128 x 64 pixels resolution, 50 mm x 25 mm (1.97" x 0.98") visible display area - RFID reader (illuminated) - Acoustic signal - Bar display with LED segments in different colours

Control elements:	<ul style="list-style-type: none"> - 4 function keys - RFID reader
Host interface:	Ethernet 10/100 MBit/s
Vending interface:	MDB with 6 pin standard connector
Housing material:	<ul style="list-style-type: none"> - Front part: plastic PMMA - Rear part: plastic PC-ABS
Dimensions:	93 mm x 107 mm x 39 mm (3.66" x 4.2" x 1.54")
Weight:	200 g (7.05 oz)
Permitted ambient temperature:	0 °C to +50 °C (+32 °F to +122 °F)
Permitted storage temperature:	-10 °C to +60 °C (+14 °F to +140 °F)
Relative humidity:	20% to 80%, non-condensing
Protection type:	IP 54
Protection class:	III
Environment class based on VdS 2110:	II (conditions in indoor areas)
Compliance:	CE, FCC, IC, ETL, CB

Dimensions



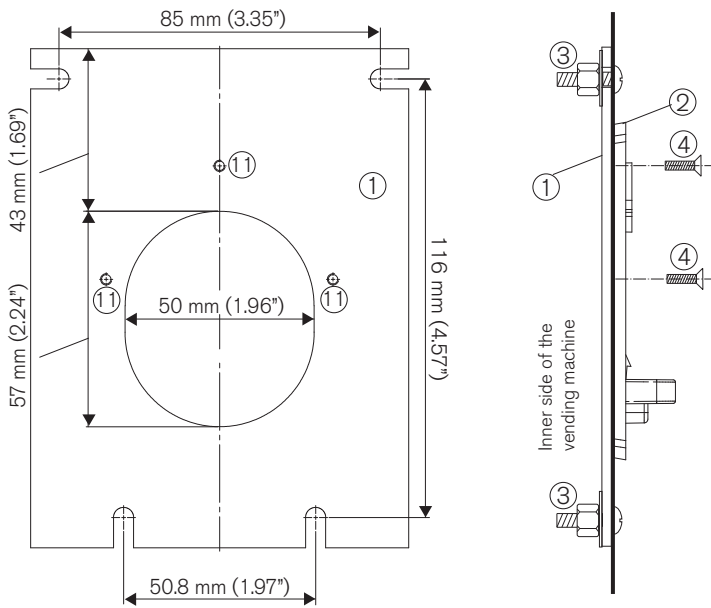
1. LED status display
2. Display (LCD)
3. Function keys
4. Illuminated scan field
5. Device rear part
6. Device front part
7. Plastic mounting plate
8. GAT Vending Mounting Plate 61xx

Installation instructions

There are two options for installing the GAT Vending 6100 BA. For vending machines with standard EVA recesses, the aluminium mounting plate (Part No. 905127) is used for installation. For vending machines without EVA recesses, corresponding holes must be drilled into the front of the vending machine. The aluminium mounting plate is not absolutely required for installation in this case.

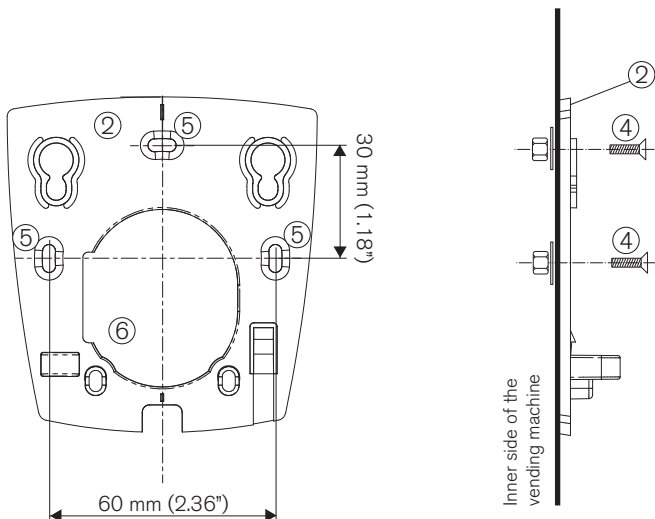
Installation in vending machines with standard EVA recesses

1. Attach the aluminium mounting plate (1) to the inner side of the vending machine using 4 bolts (3).
2. Attach the plastic mounting plate (2) to the aluminium mounting plate (1) on the front of the vending machine using 3 x 8mm M3 screws (4). The screws are screwed directly into the 3 pre-drilled holes (11) in the aluminium mounting plate.



Installation in vending machines without standard EVA recesses

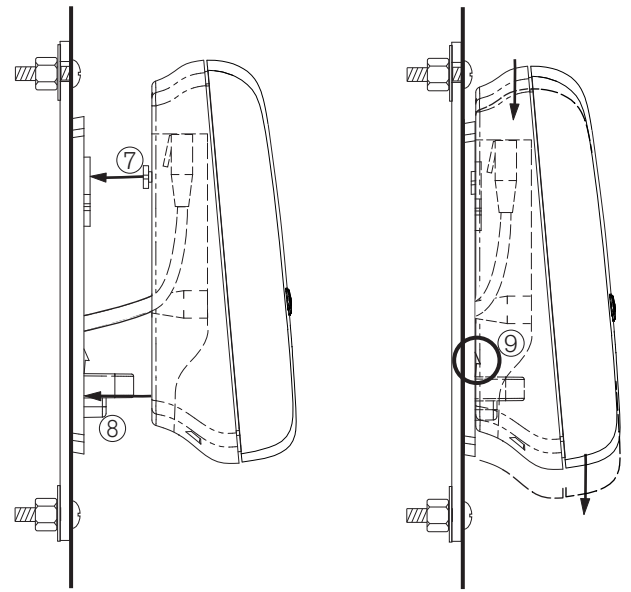
1. Drill 3 fixing holes (5) and a cabling access hole (maximum \varnothing 50 mm - 1.97") (6) into the front side of the vending machine.
2. Mount the plastic mounting plate (2) on the outside of the vending machine using 3 x 8mm M3 screws (4).



Attaching the GAT Vending 6100 BA to the mounting plate

After the connection cabling is connected to the GAT Vending 6100 BA (see "Electrical connections" on the following page), the GAT Vending 6100 BA is attached to the mounting plate as follows.

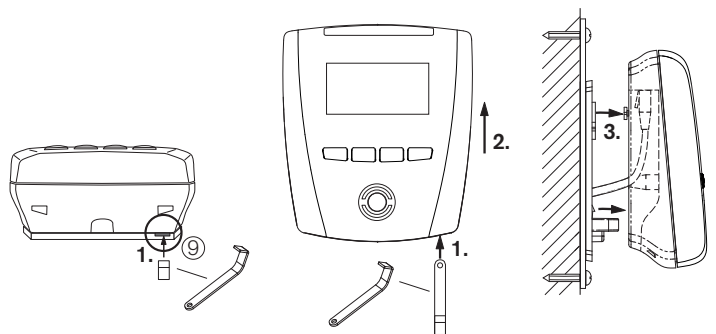
1. Align the GAT Vending 6100 BA onto the mounting plate so that both screws (7) go through the openings in the mounting plate and both hooks (8) on the mounting plate also align with the corresponding openings in the GAT Vending 6100 BA.
2. Slide the GAT Vending 6100 BA downwards until the device sits centered and flush on the mounting plate.
3. When the GAT Vending 6100 BA is attached correctly, the hook on the mounting plate (9) snaps into place on the GAT Vending 6100 BA and the device is held securely to the mounting plate.



Detaching the GAT Vending 6100 BA

To detach the GAT Vending 6100 BA from the mounting plate, the supplied GAT Reader WK special tool is required.

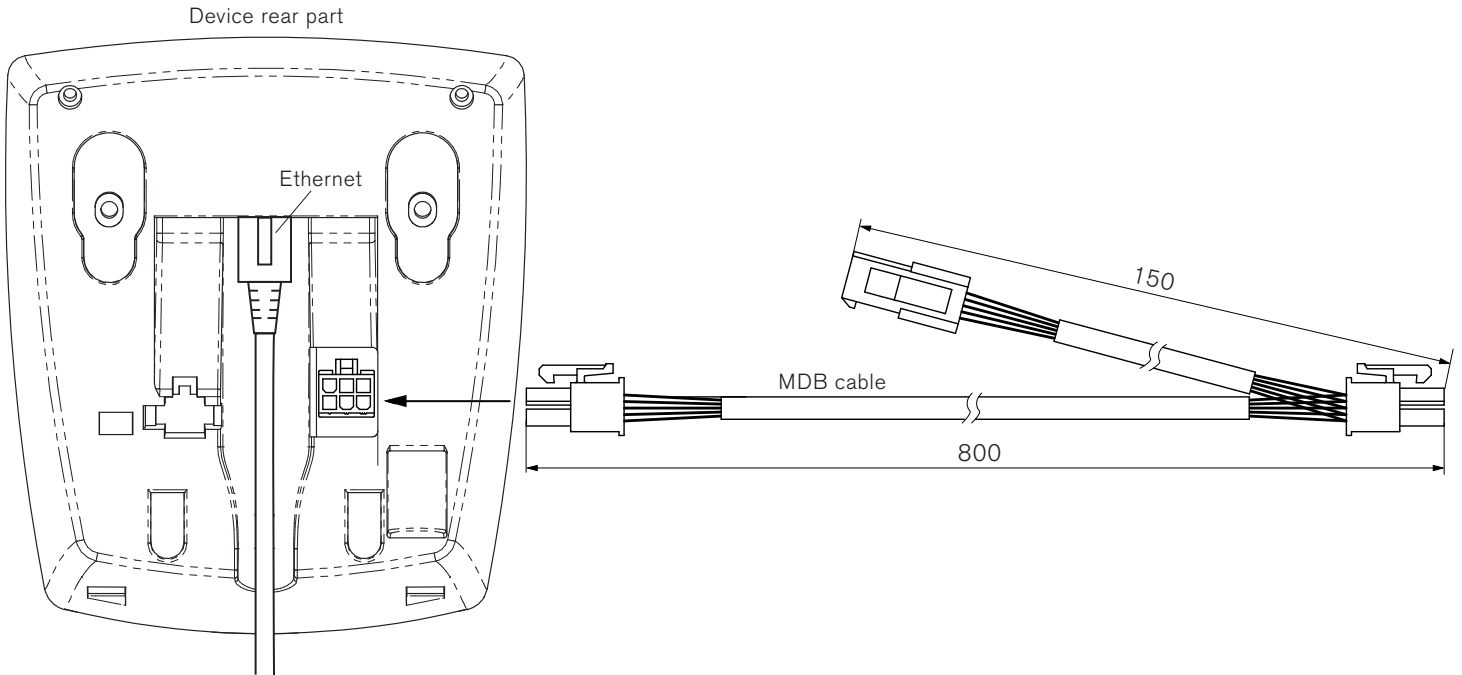
1. Insert the special tool with its long side from underneath into the opening (10) until the hook (9) is released.
2. Slide the GAT Vending 6100 BA upwards.
3. The GAT Vending 6100 BA can now be removed to the front.



Electrical connections

GAT Vending 6100 BA

Ethernet and MDB cabling connections



Power supply

DC power (see technical data) is supplied to the GAT Vending 6100 BA by the vending machine via the MDB cable. The power input is protected against reverse-polarity.

Network

An Ethernet connection is available via the RJ45 socket on the rear part of the GAT Vending 6100 BA.

MDB interface

The GAT Vending 6100 BA connects to the MDB bus of the vending machine via the supplied MDB cable. The additional MDB socket on the cable allows the reader to connect to existing MDB cabling.

Recommended cabling

Ethernet: min. CAT 5 (STP) for 100 MBit

MDB cable: GAT Vending MDB Cable (supplied with the GAT Vending 6100 BA). See order information on page 1.

Safety instructions



- This device must be installed by qualified personnel only.
- The applicable safety and accident prevention regulations must be observed.
- Safety devices must not be removed.
- Please observe the technical data of the device specified on the data sheet.



- The device must be disconnected from the power supply prior to installation, assembling or dismantling.