

GAT CardDispensing Station F Dispensing Station for RFID Cards

Application

The GAT CardDispensing Station F (henceforth "Dispensing Station") is a compact automat used for dispensing RFID cards in leisure facilities such as swimming pools, spas, and fitness centers.

Visitors use the RFID cards for identification and access purposes in the leisure facility. The system provides maximum ease-of-use for visitors through contactless identification at access devices such as turnstiles and with electronic locker systems.

The robust housing is optically neutral and integrates seamlessly with the surrounding architecture and facility design themes. A customer-specific logo or design can be attached to the front of the dispensing station.



Functional description

Guests of the leisure facility are issued with a PIN code, which they enter into the keypad of the Dispensing Station upon visiting the facility. The facility management software verifies the request then dispenses an RFID card for the guest. The unique number of the dispensed card is sent to the management software. The Dispensing Station communicates with the facility management software via an integrated Ethernet interface.

The card serves as identification and allows the guest to access the facility and use specific services that are controlled by GANTNER devices. The practical design of the modular dispensing unit provides fast and easy access for refilling the Dispensing Station.

Highlights

- Automated dispensing of RFID cards
- Magazine with capacity for 550 cards
- Integrated MIFARE® reader
- Keypad for PIN code input
- Ethernet interface
- Easily accessible card dispensing mechanics
- Comfortable card refilling operation performed from front side
- Front label can be ordered with a custom logo or design

Order information

Description	Part No.
-------------	----------

GAT CardDispensing Station F without FL	649027
--	--------

Automat for dispensing RFID cards, integrated MIFARE® reader, PIN code input, magazine with 550 card capacity, Ethernet interface, UK and EU power cables included, front label not included

Note:

The front labels (upper and lower part) must be ordered separately. Labels can be printed with a customer-specific design.

GAT CardDispensing Station F GANTNER	654225
---	--------

Automat for dispensing RFID cards, integrated MIFARE® reader, PIN code input, magazine with 550 card capacity, Ethernet interface, UK and EU power cables included, with GANTNER front label

Accessories

Description	Part No.
-------------	----------

GAT Chip Card 200 F7	537835
-----------------------------	--------

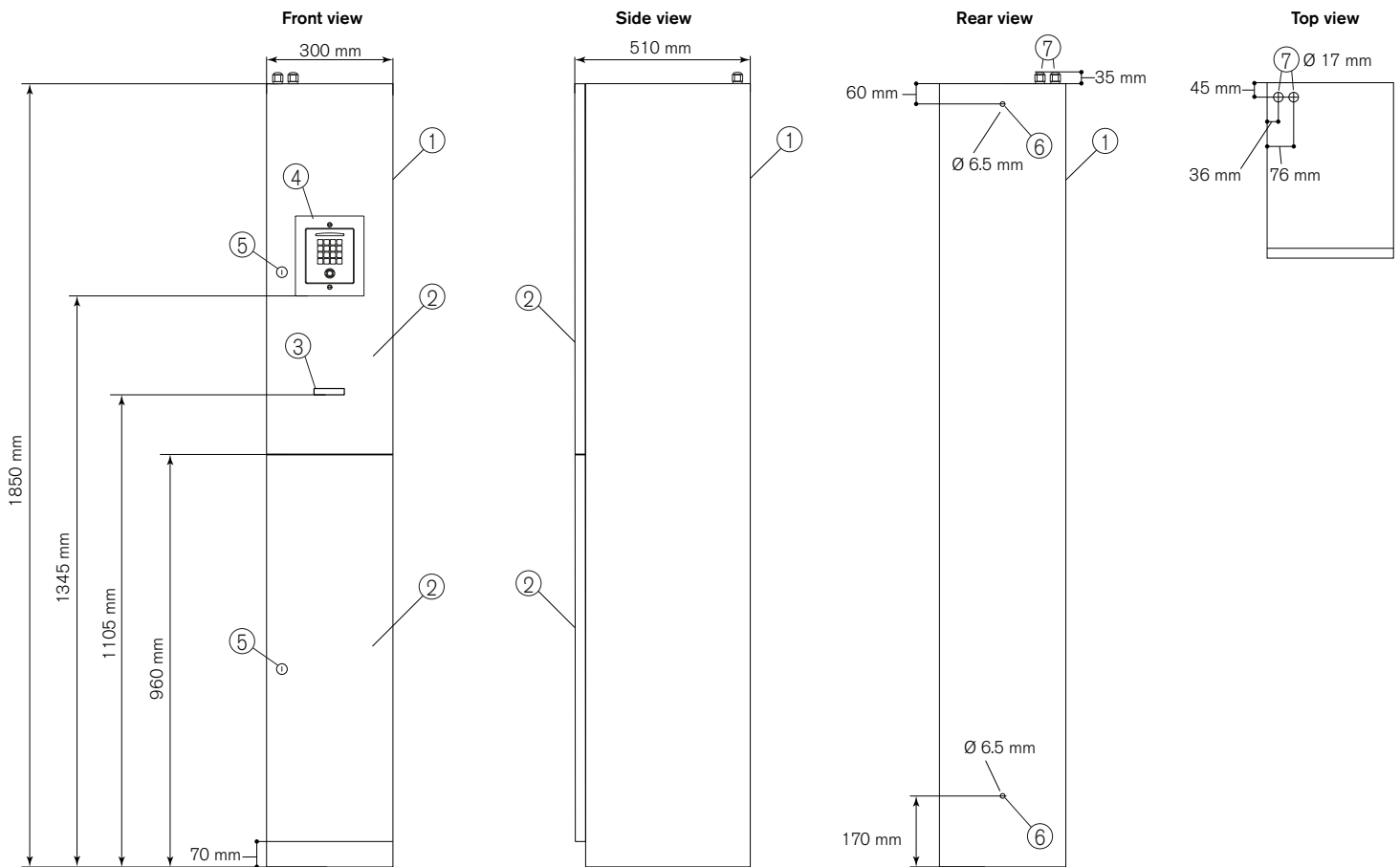
MIFARE® RFID card, 1 KB, 7 Byte UID, neutral white, uncoded

Technical data

Nominal supply voltage:	AC 230 V
Frequency:	50 Hz
Current consumption:	2.3 A
Data carriers:	GAT Chip Card 200
RFID system:	MIFARE®
RFID frequency:	13.56 MHz
Interface:	Ethernet 10/100 Mbit/s
Card capacity:	550
Card type:	- Standard ISO 7816 size (type ID-1) - 85.6 mm x 53.98 mm - 3.18 mm corner radius - 0.76 mm card thickness
PIN code:	- Max. length 8 digits - Leading 0 is not detected

Signalling & control elements	
- Reader:	Tricoloured, backlit RFID scan field
- Bar display:	4 x tricoloured LED segments
- Acoustic signal:	Beeper
- Keypad:	10-key pad with 2 function keys
Mounting type:	Placed on level surface. Two wall mounting points provided to prevent overturning
Housing material:	Metal cabinet
Dimensions:	773 mm x 300 mm x 1850 mm (30.4'' x 11.8'' x 72.8'')
Perm. ambient temperature:	0 °C to + 40 °C
Environment class:	II (conditions in indoor areas)

Dimensions



1. Dispensing Station housing
2. Front door
3. Card dispenser
4. Keypad
5. Mechanical lock
6. Mounting hole
7. Power / Ethernet cabling outlets

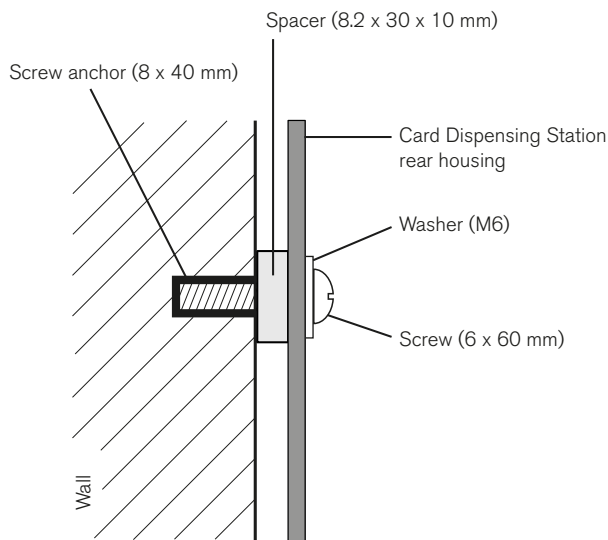
Installation instructions

Install the Dispensing Station in a location that is convenient for guests of the facility to access. The unit must be placed on a level surface and within 2 m of mains power / Ethernet outlets. To prevent the Dispensing Station from overturning, two holes are provided in the rear of the housing that are used to fix the unit to the wall.



CAUTION! Do not use the wall mounting points to support the weight of the Dispensing Station.

1. Ensure the unit is placed on a level surface, against a wall, and within 2 m of power / Ethernet outlets.
2. To access the mounting holes, unlock and open both doors of the Dispensing Station.
3. Mark out and drill the location of the rear mounting holes.



4. Attach the Dispensing Station to the wall using mounting hardware for the two mounting holes as shown in the diagram.

NOTE! Mounting hardware (screws, anchors, spacers) suitable for masonry walls is supplied with the unit. The supplied mounting hardware guarantees stability. If the supplied mounting hardware is not suitable for the wall material, source appropriate hardware from a specialized dealer.

5. Connect the Ethernet and power cabling (see "Electrical connections" on the following page).

Card refilling instructions



CAUTION! Always ensure that the mains power is switched off before opening the door of the Dispensing Station.

1. Unlock and open the top door of the Dispensing Station.
2. Remove the card magazine from the Dispensing Station.
3. Refill the cards into the magazine. Ensure the cards are not stuck together and are correctly aligned within the magazine. Remove any cards that are stuck together as these can lead to blockages.
4. After refilling the cards, replace the magazine into the Dispensing Station.

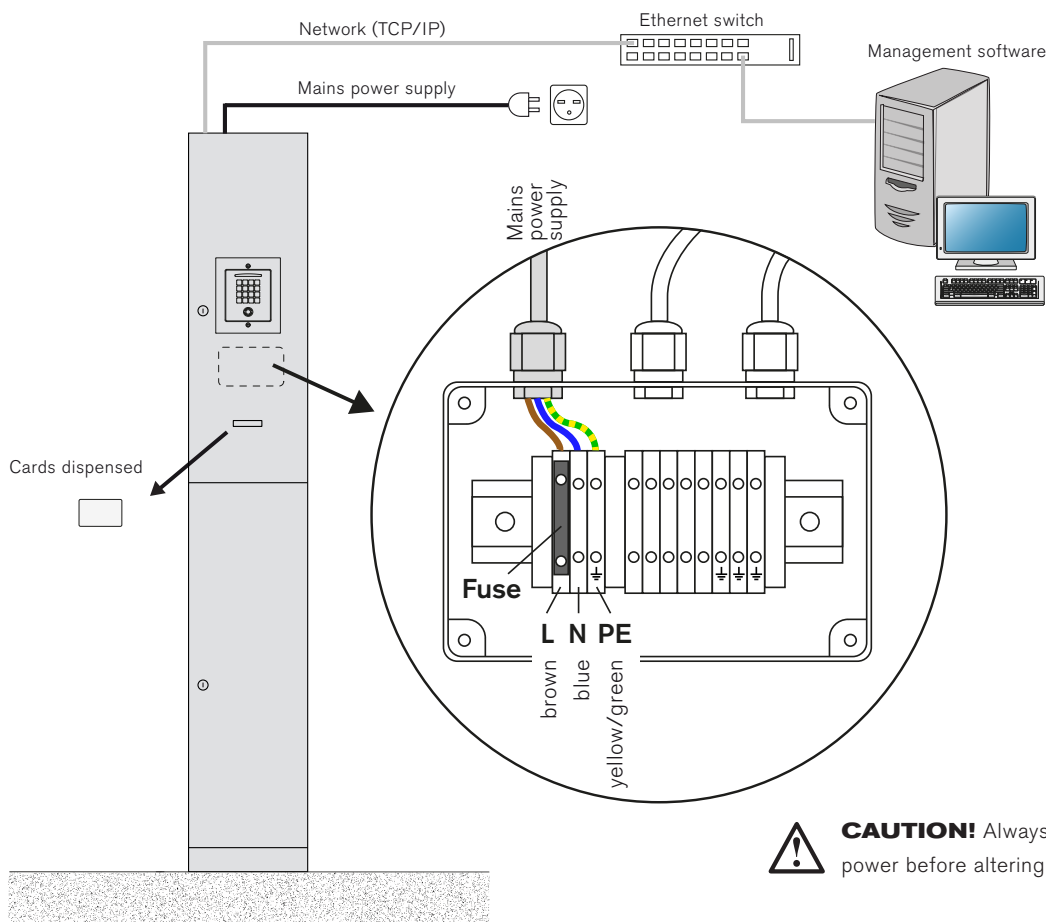


NOTE! Ensure the magazine completely clicks into place in the catch spring and that the card weight is inserted. Otherwise, malfunction and card damage may occur.

5. Close and lock the top door of the Dispensing Station.

Electrical connections

Power supply and network (Ethernet)



CAUTION! Always unplug the Dispensing Station from mains power before altering electrical connections.

Power supply

AC supply (see technical data). Connect the power plug to a 230 VAC power outlet.

Cabling

The Dispensing Station is supplied with the required Ethernet and power cabling. The Ethernet cable is already terminated inside the unit.



CAUTION! Do not alter any of the existing internal electrical connections.

Connect the wires of the power cable to the "L", "N" and "PE" screw terminals of the connector box inside the unit (see diagram above).

The Ethernet/power cabling is 2 m long and exits the top-rear corner of the Dispensing Station housing. Connect the cabling to power and Ethernet outlets within the facility.

NOTE! Always connect the Ethernet cable before switching on power.

Network

Connect the Ethernet cable to a separate port at the network switch. The recommended cabling for Ethernet connections between the Dispensing Station and the network switch is min. CAT 5 (STP) for 100 MBit.

Protective elements

The following elements protect the Dispensing Station:

- Fuse 3.15 A, T 5x20 mm, 250 VAC - GANTNER Part No. 829019. Only use the original fuse supplied by GANTNER or a fuse of the same type.
- Sensor to prevent operation when the door of the unit is open.



CAUTION! Fuse replacement only by qualified personnel (see instructions in the manual).

Safety Instructions



- The installation and maintenance of this device must be performed by trained, qualified personnel.
- All applicable safety and accident prevention regulations must be observed.
- Safety devices must not be removed.
- Please observe the technical data of the device specified in this datasheet.



- The device must be disconnected from the power supply prior to installation, assembly or dismantling.



GANTNER is committed to meeting or exceeding the requirements of the RoHS directive (2011/65/EU). The RoHS directive requires that manufacturers eliminate or minimize the use of lead, mercury, hexavalent chromium, cadmium, polybrominated biphenyls and polybrominated diphenyl ethers in electrical and electronic equipment sold in the EU after July 1, 2006.



This product is herewith confirmed to comply with the requirements set out in the Council Directives on the Approximation of the laws of the Member States relating to Electromagnetic Compatibility Directive 2004/108/EG.

This product is in conformity with the following EC directives, including all applicable amendments:

- 1999/5/EC (R&TTE directive)
- 2004/40/EC (Limitation of human exposure to electromagnetic fields)
- 2011/65/EU (Restriction of the use of certain hazardous substances in electrical and electronic equipment)



The WEEE symbol on GANTNER products and their packaging indicates that the corresponding material must not be disposed of with normal household waste. Instead, such marked waste equipment must be disposed of by a designated electronic waste recycling facility. Separating and recycling this waste equipment at the time of disposal will help to conserve natural resources and ensure that it is recycled in a manner that protects human health and the environment. For more information on recycling an item marked with the WEEE symbol, please contact your local city office or your household waste disposal operation.