

GAT Writer 6000 F Read/Write Station MIFARE®

Application

The compact read/write station GAT Writer 6000 F with MIFARE® standard 1K/4K-technology can read and write MIFARE® standard 1K/4K data carriers. The GAT Writer 6000 F is designed for accepting MIFARE® data carriers of various types.



Functional description

The GAT Writer 6000 F is connected via the USB interface to a PC. The USB interface also supplies the GAT Writer 6000 F with power. Therefore no additional power supply unit is necessary. The recess is designed to take most types of media. The station is also provided with a ticket slot for inserting ISO cards.

Further features:

- MIFARE® standard 1K/4K (producer: NXP/Infineon)
- Compact desktop housing
- Status lights red/green

Order information

Description	PartNo.
GAT Writer 6000 F MIFARE® read/write station incl. USB cable	653683

Accessories

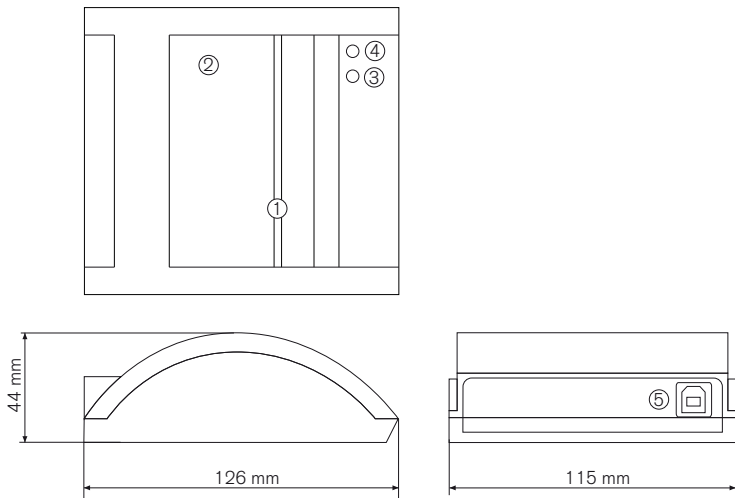
Description	PartNo.
USB cable Connection cable for PC, 3 m	208275
Driver CD USB Software driver for GAT Writer 6000	799391

Technical data

Power supply:	via USB interface
Power consumption:	max. 350 mA
Reader type:	MIFARE®, standard 1K/4K
Frequency of reading field:	13.56 MHz
Display elements:	2 status LEDs and 1 acoustic signal generator
Connections:	USB, plug type B

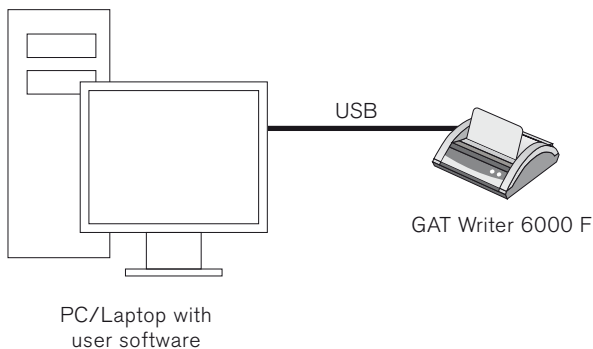
Communication interface:	USB interface. version 1.1
Housing material:	Plastic ABS
Dimensions:	126 x 115 x 44 mm
Protection type:	IP 40
Protection class:	III
Weight:	0.4 kg
Environment class based on VDS 2110:	I (conditioned indoor areas)

Dimensions

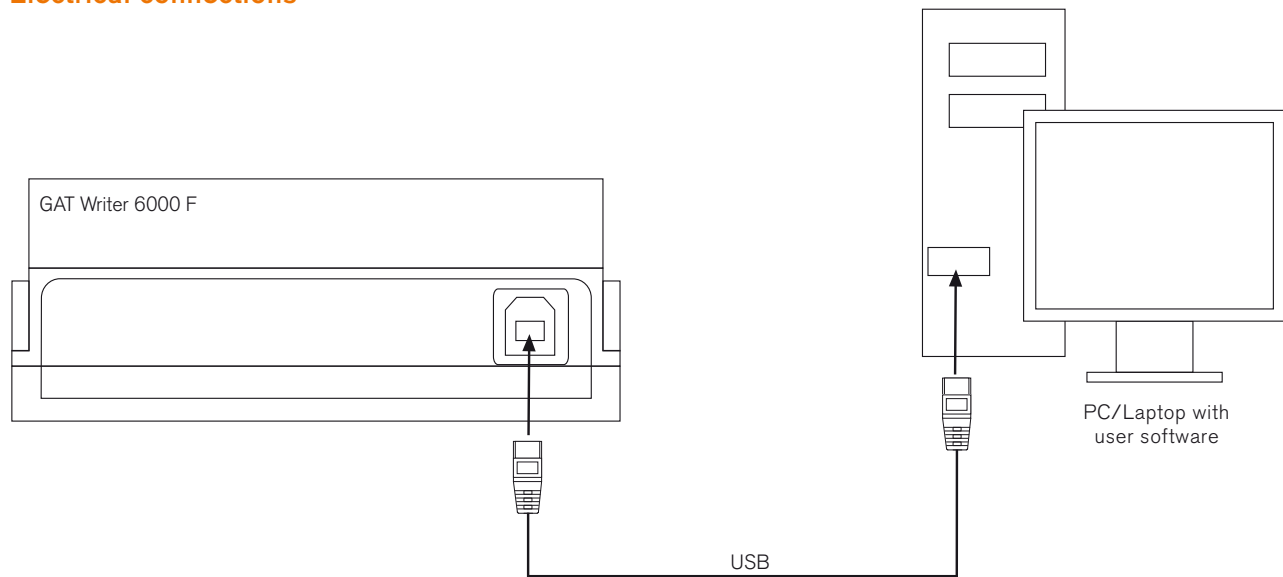


1. Ticket slot
2. Recess for data carriers
3. LED "red"
4. LED "green"
5. USB connection

Typical application



Electrical connections



Connection

The USB interface connection is located at the rear of the GAT Writer 6000 F. The GAT Writer 6000 F is connected to a PC using the supplied USB cable. Power is supplied from the PC to the GAT Writer 6000 F via the USB connection.

PC-Installation

Driver

When the GAT Writer 6000 F is connected to a PC for the first time, the PC detects the new hardware and requests installation of the USB driver to establish communication. Please insert the supplied driver CD and install the driver.

Connection cable

USB cable, cable length 3 m
plug type B (GAT Writer 6000 F) and plug type A (PC)

Safety instructions



- This device must be installed by qualified personnel only.
- The applicable safety and accident prevention regulations must be observed.

- Safety devices must not be removed.
- Please observe the technical data of the device specified on the data sheet.



- The device must be disconnected from the power supply prior to installation, assembly or dismantling.