

GAT Writer 6000 F Schreib-/Lesestation MIFARE®

Application

The compact read/write station GAT Writer 6000 F with MIFARE® technology can read and write MIFARE data carriers (Ultralight, Classic 1K and 4K, Plus, DESFire). The GAT Writer 6000 F is designed for accepting MIFARE data carriers of various types.



Functional description

The GAT Writer 6000 F is connected via the USB interface to a PC. The USB interface also supplies the GAT Writer 6000 F with power. Therefore no additional power supply unit is necessary. The recess is designed to take most types of media. The station is also provided with a ticket slot for inserting ISO cards.

Further features:

- MIFARE (ISO 14443 A) compatible (manufacturer: NXP/Infineon):
 - MIFARE Ultralight®
 - MIFARE Classic® 1K and 4K
 - MIFARE DESFire®
 - MIFARE Plus®
- USB interface
- Kompaktes Tischgehäuse
- Leuchtanzeige rot/grün

Order information

Description	PartNo.
GAT Writer 6000 F	653683
MIFARE read/write station incl. USB cable	

Accessories

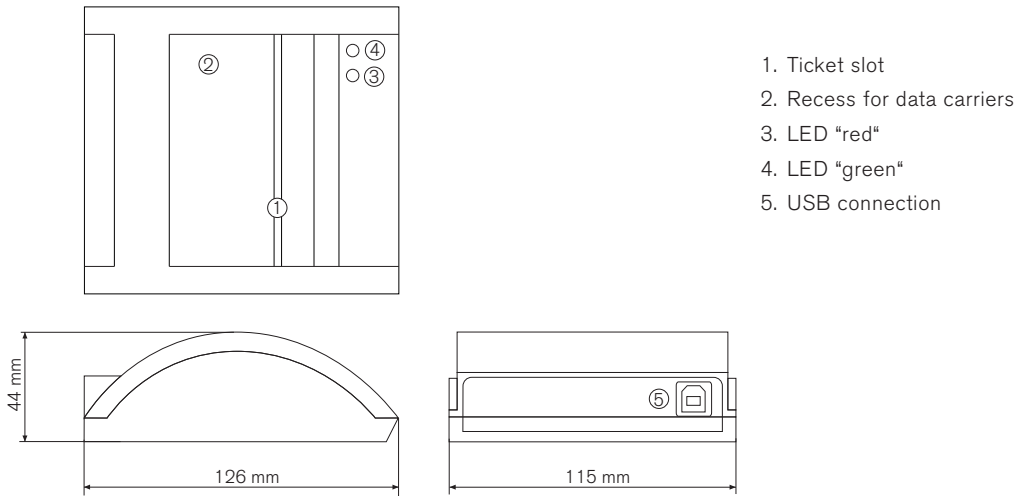
Description	PartNo.
USB cable	208275
Connection cable for PC, 3 m	

Technical data

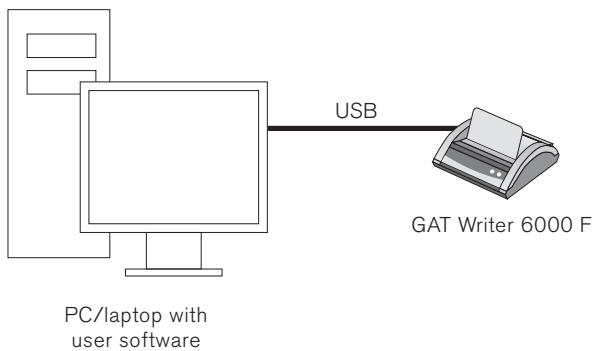
Power supply:	via USB interface
Power consumption:	max. 350 mA
Reader type:	MIFARE (ISO 14443 A)
Supported data carrier types:	- MIFARE Ultralight® - MIFARE Classic® (1K and 4K) - MIFARE DESFire® - MIFARE Plus®
Frequency of reading field:	13.56 MHz
Display elements:	2 status LEDs and 1 acoustic signal generator
Connections:	USB, plug type B

Communication interface:	USB interface, version 1.1
Housing material:	Plastic ABS
Dimensions:	126 x 115 x 44 mm
Permitted ambient temperature:	0 to +60°C
Protection type:	IP 40
Protection class:	III
Weight:	0.4 kg
Environment class based on VDS 2110:	I (conditioned indoor areas)

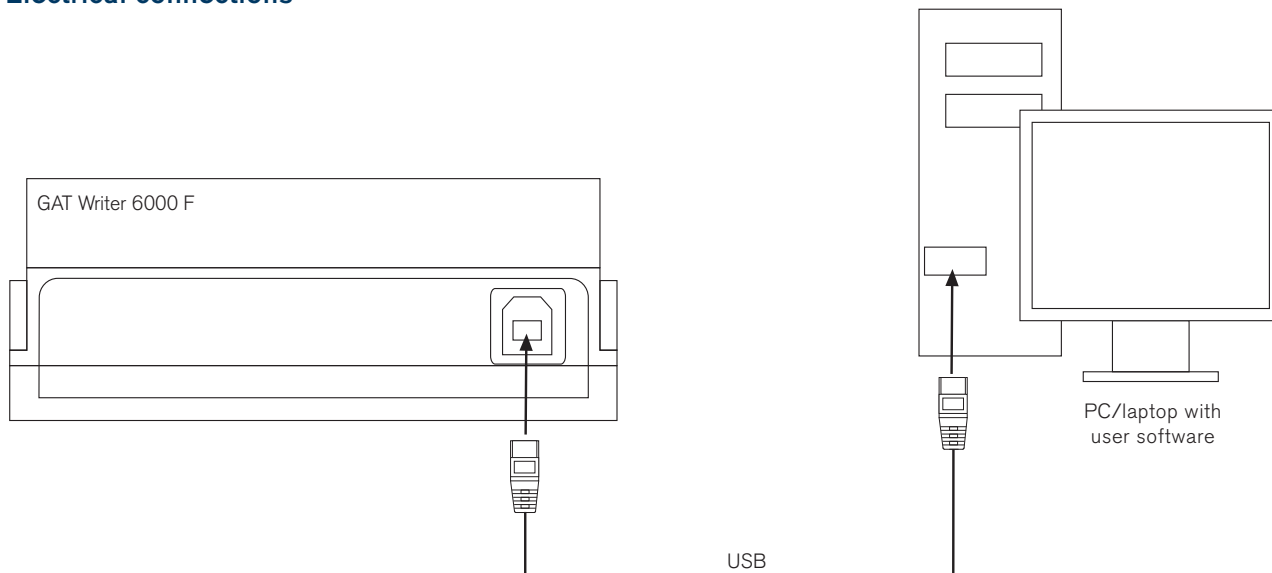
Dimensions



Typical application



Electrical connections



Connection

The USB interface connection is located at the rear of the GAT Writer 6000 F. The GAT Writer 6000 F is connected to a PC using the supplied USB cable. Power is supplied from the PC to the GAT Writer 6000 F via the USB connection.

PC-Installation

Driver

When the GAT Writer 6000 F is connected to a PC for the first time, the PC detects the new hardware and requests installation of the USB driver to establish communication.

The driver can be downloaded from the GANTNER partner site. Click on the following link:

<https://www.gantner.com/de/download/6656/>

Connection cable

USB cable, length 3 m

Plug type B (GAT Writer 6000 F) and plug type A (PC)

Safety instructions



- This device must be installed by qualified personnel only.
- The applicable safety and accident prevention regulations must be observed.
- Safety devices must not be removed.
- Please observe the technical data of the device specified on the data sheet.



- The device must be disconnected from the power supply prior to installation, assembly or dismantling.