

# GAT Writer 6000 ISO Read/Write Station ISO 15693

## Application

The compact read/write station GAT Writer 6000 ISO can read and write ISO 15693 data carriers. The GAT Writer 6000 ISO is designed for accepting ISO 15693 data carriers of various type.



## Functional description

The GAT Writer 6000 ISO is connected via the USB interface to a PC. The USB interface also supplies the GAT Writer 6000 ISO with power. Therefore no additional power supply unit is necessary. The recess is designed to take most types of media. The station is also provided with a ticket slot for inserting ISO cards.

Further features:

- Compact desktop housing
- Status lights red/green

## Order information

Description	PartNo.
<b>GAT Writer 6000 ISO</b>	490682
ISO 15693 read/write station incl. USB cable	

## Accessories

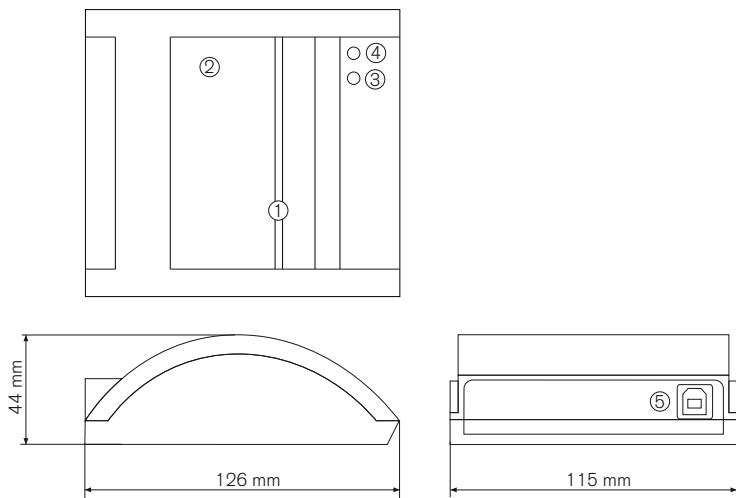
Description	PartNo.
<b>USB cable</b>	208275
Connection cable for PC, 3 m	
<b>Driver CD</b>	799391
USB Software driver for GAT Writer 6000	

## Technical data

Power supply:	via USB interface
Power consumption:	max. 350 mA
Reader type:	ISO 15693
Frequency of readint field:	13.56 MHz
Display elements:	2 status LEDs and 1 acoustic signal generator
Connections:	USB, plug type B

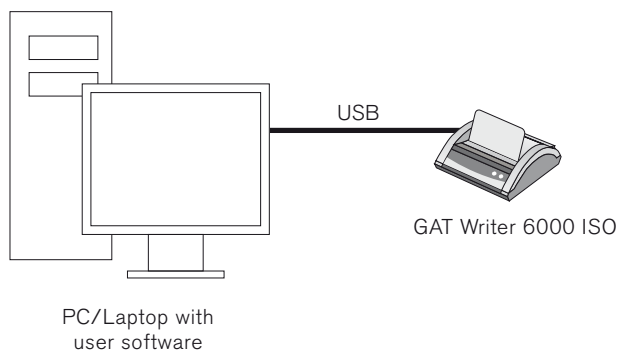
Communication interface:	USB interface, version 1.1
Housing material:	Plastic ABS
Dimensions:	126 x 115 x 44 mm
Protection type:	IP 40
Protection class:	III
Weight:	0.4 kg
Environment class based on VDS 2110:	I (conditioned indoor areas)

## Dimensions

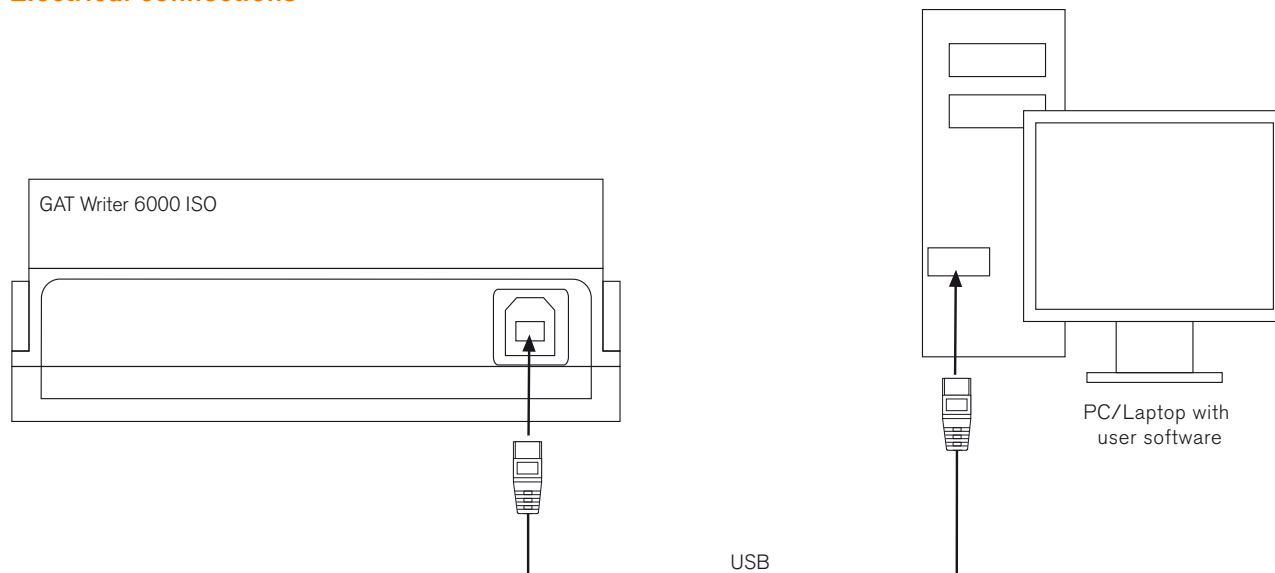


1. Ticket slot
2. Recess for data carriers
3. LED "red"
4. LED "green"
5. USB connection

## Typical application



## Electrical connections



### Connection

The USB interface connection is located at the rear of the GAT Writer 6000 ISO. The GAT Writer 6000 ISO is connected via the USB interface to a PC using the supplied USB cable. Power is supplied from the PC to the GAT Writer 6000 ISO via the USB connection.

### PC-Installation

#### Driver

When the GAT Writer 6000 ISO is connected to a PC for the first time, the PC detects the new hardware and requests installation of the USB driver to establish communication. Please insert the supplied driver CD and install the driver.

### Connection cable

USB cable, cable length 3 m

plug type B (GAT Writer 6000 ISO) and plug type A (PC)

### Safety instructions



- This device must be installed by qualified personnel only.
- The applicable safety and accident prevention regulations must be observed.
- Safety devices must not be removed.
- Please observe the technical data of the device specified on the data sheet.



- The device must be disconnected from the power supply prior to installation, assembly or dismantling.