

# GAT Lock 6010 B

## Battery Powered Lock - LEGIC

### Application

The GAT Lock 6010 B is the ideal solution for the convenient electronic locking of lockers in leisure facilities, universities, companies, and depots. System users are identified by the lock via contactless RFID data carriers (Radio Frequency Identification). Different types of data carriers are available including cards, wristbands, and key tags.

The GAT Lock 6010 B is suitable for different types of locker material (wood, HPL, solid plastic, glass, steel sheet) and can be used with both left and right-hinged doors. The various operating modes provide flexibility allowing the locker system to be configured to suit individual requirements.



### Functional description

Lockers can be electronically locked and unlocked using the GAT Lock 6010 B. To lock a locker, the user simply presses the lock button in using their data carrier. This action activates the lock electronics and the authorization of the user's data carrier is checked. If the authorization is valid, the locker door is locked or unlocked by the GAT Lock 6010 B accordingly. When the locker is locked, the button remains pressed in to indicate this status.

### Highlights

- Status display via the button position
- Free and personal locker selection
- Rental locker function
- Selectable operating mode
- Recording of the last 50 identifications
- Reliable data transmission between reader and data carrier
- Configuration via computer
- Easy retrofitting of lockers already in place

### Order information

Description	Part No.
<b>GAT Lock 6010 B</b> Battery lock for LEGIC data carriers, dark gray housing, light gray button, without battery, without front label	728989

### Accessories

Description	Part No.
<b>Manual GAT Lock 6010 B</b> Operating and installation instructions in English	985085
<b>GAT Lock Basic Set 6000 B USB</b> Set containing configuration software, USB cable, 3 master data carriers, 4 system data carriers, 1 battery key, 1 door label and 5 operating instructions labels	772634
<b>Frontfolie GAT Lock 6010 GANTNER o.Nr</b> Self-adhesive front label, without number	666834
<b>Front Label GAT Lock 6010 GANTNER m.Nr</b> Self-adhesive front label, with number	666329
<b>Front Label GAT Lock 6010 BED</b> Self-adhesive front label with graphical operating instructions	666430
<b>Battery 6V Lithium 2CR5</b> Battery for the GAT Lock 6010 B	125273
<b>GAT Battery Key</b> Key for opening the battery compartment	128276
<b>GAT Lock Door Handle</b> Optional door handle for the GAT Lock 6010 with placeholder for an additional label, anthracite gray	610217

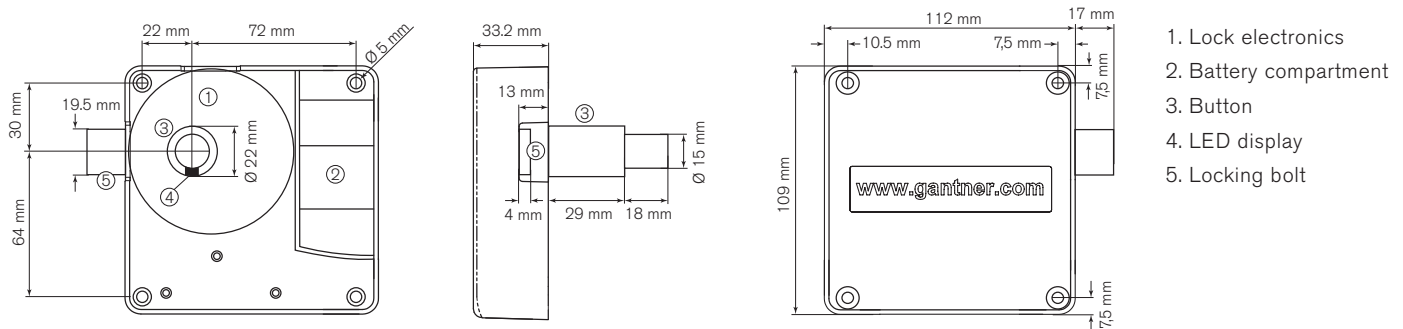
## Technical data

Power supply:	6 V battery - Duracell Lithium 2CR5
Battery life-time:	Approx. 3 years* at +20 °C * depending on usage and used functions
Data storage:	EEPROM for 50 bookings, data preservation during battery change
Internal clock:	Quartz-controlled, real-time clock
Reader type:	LEGIC Prime
Frequency of reading field:	13.56 MHz
Range of reading field:	5 to 35 mm (0.4" to 1.38")* * depending on installation and type of data carrier
Control element:	Button
Display element:	LED (red / green / orange)

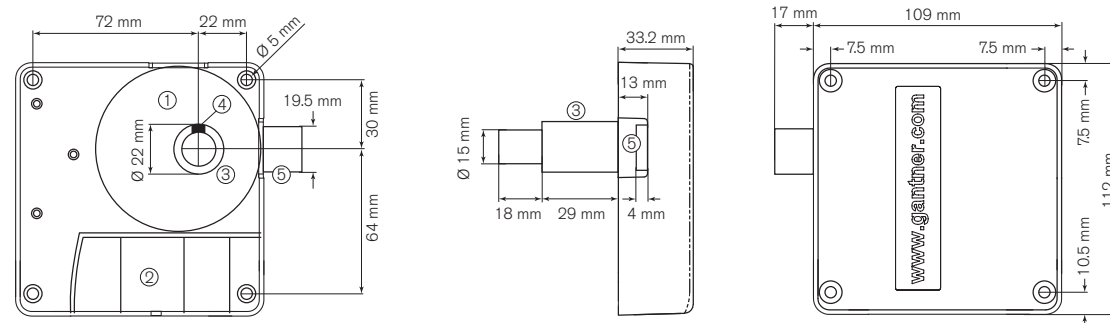
Configuration interface:	RS-232
Housing material:	Plastic (PC-ABS), halogen-free
Housing colour:	Dark gray
Dimensions:	112 x 110 x 33 mm
Weight:	0.2 kg
Permitted ambient temperature:	0 °C to +60 °C
Protection type:	IP 52
Protection class:	III
Environment class based on VdS 2110:	II (conditions in indoor areas)
Compliance:	CE

## Dimensions

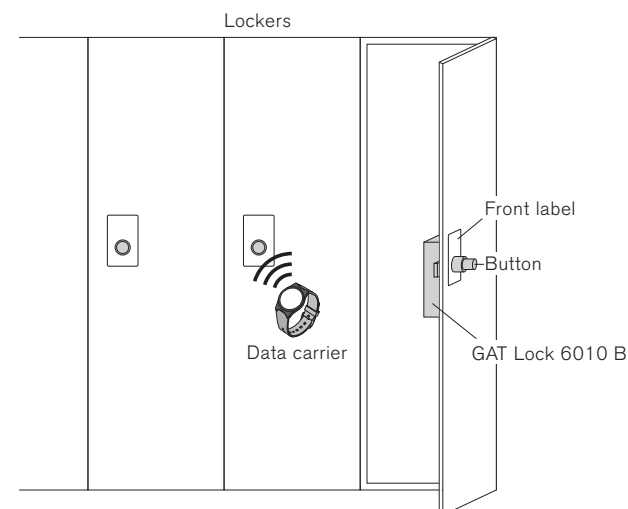
### Right-hinged door



### Left-hinged door



## Typical application



## Installation instructions

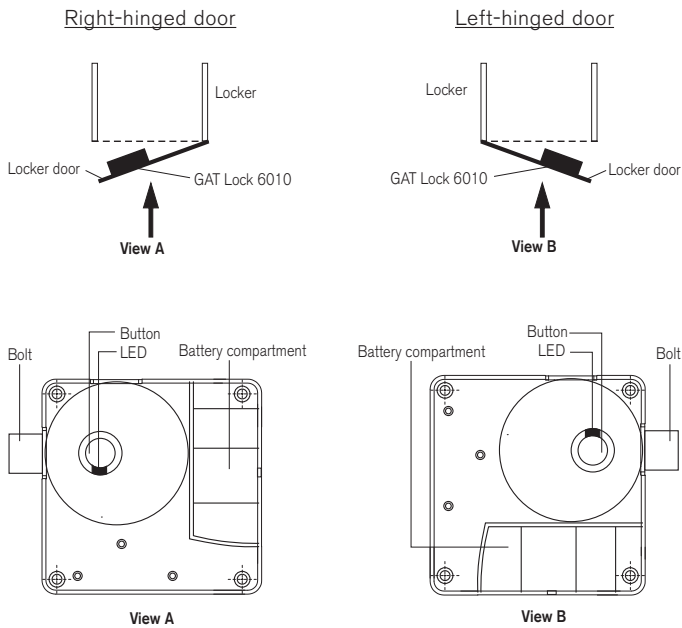
The GAT Lock 6010 B is suitable for lockers with metallic and non-metallic doors and attaches to the inside of the locker door using four screws. A hole is required in the locker door for the button.

Before installing all locks in a new system, complete a test installation in one locker and a functional test with a corresponding data carrier. Only once testing is successfully completed may the remaining locks be installed in the same way.

**NOTE!** See the GAT Lock 6010 B manual for detailed installation instructions.

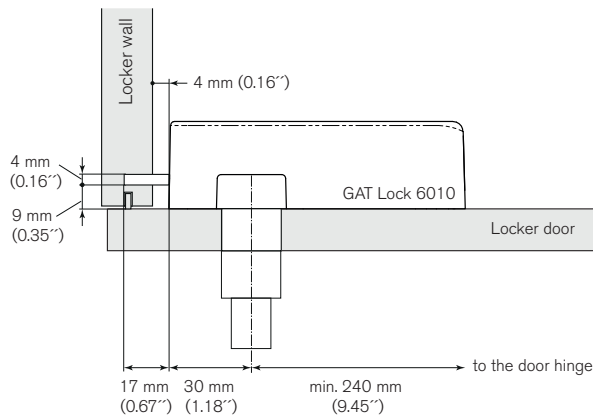
### Door opening

Depending on the hinge, locker doors can open to the right or left. Orientate the electronics of the GAT Lock 6010 B according to the diagram below.



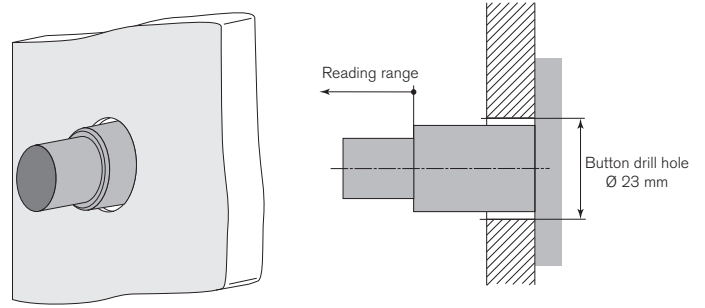
### Door width

The minimum allowed width for the locker door is 240 mm (9.45"). If the door is narrower than 240 mm, the lock will hit the locker when the door is being closed.



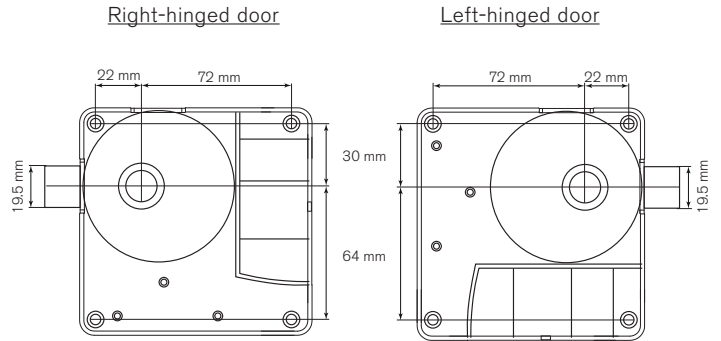
### Button drill hole

A hole must be drilled through the locker door for the lock button. For non-metallic locker doors, the diameter of the button drill hole is 23 mm. The reading range depends on the type of data carrier used.

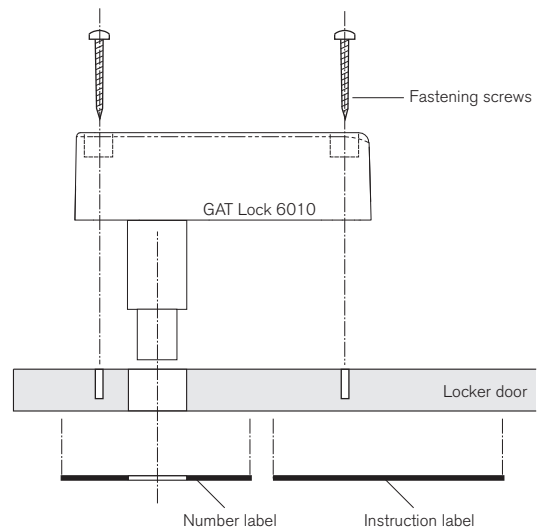


For metallic locker doors, different values apply for the button drill hole and reading range (refer to the GAT Lock 6010 B manual).

### Mounting



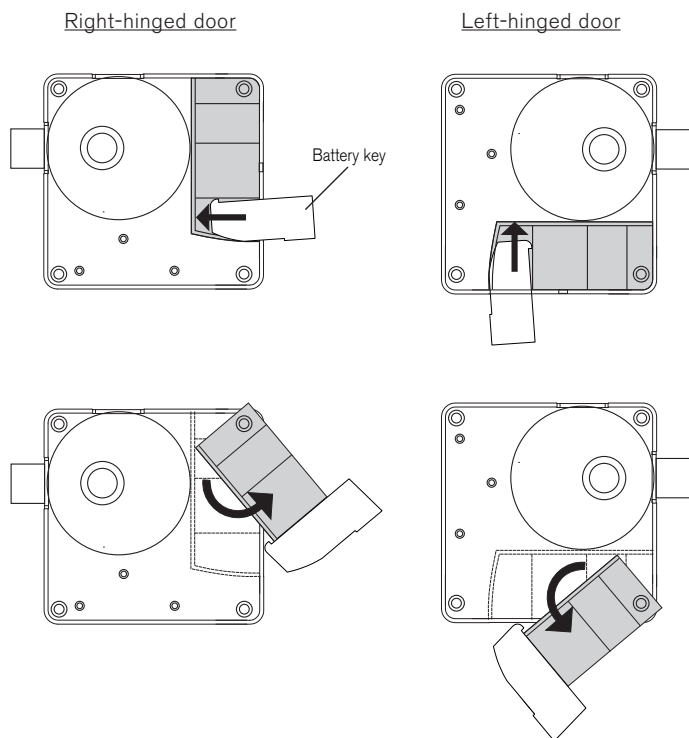
- Use the correct screws according to the type of locker material, max.  $\varnothing$  4 mm (0.16"). The maximum allowed tightening torque of the screws is 2 Nm (1.47 lb-ft).
- Ensure that the button is centrally aligned in the drill hole.
- Ensure that the housing of the GAT Lock 6010 B does not contact the inside of the locker body when opening/closing the locker door.
- Ensure that the battery compartment can be opened after mounting and is not hindered by other components.
- Do not use any metallic labels on the locker door.



## Startup and Configuration

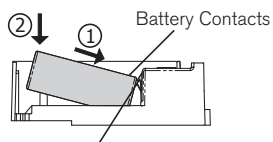
### Power supply

The GAT Lock 6010 B is powered by a 6 V battery (see technical data). Use the battery key to open the battery compartment of the GAT Lock 6010 B as shown below.



Inserting the battery:

1. Ensure the battery polarity is correct.
2. Press the battery down into the compartment until it locks into place.
3. Swing the battery cover back over the battery compartment.

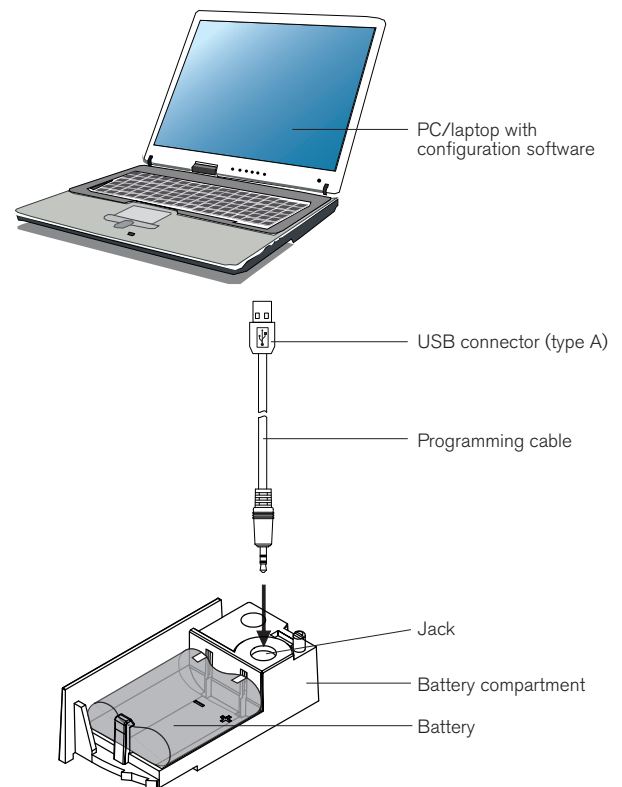


**NOTE!** Insert the battery directly before the GAT Lock 6010 B is mounted to avoid unnecessary battery usage. Only use the approved battery listed in the "Accessories" section on page 1 (1 x Batterie 6V Lithium 2CR5, Part No.: 125273).

### Configuration

The GAT Lock 6010 B can be configured via PC/laptop and configuration software or by using the system data carriers included in the GAT Lock Basic Set 6000 B USB. A detailed description of the configuration process is available in the user manual.

For PC/laptop configuration, connect the programming cable to the jack in the battery compartment of the GAT Lock 6010 B as shown below. Connect the other end of the programming cable to a spare USB port on the PC/laptop.



Communication is activated using the service data carrier. The programming cable and service data carrier are included in the GAT Lock Basic Set 6000 B USB.

### Safety Instructions

- The installation and maintenance of this device must be performed by trained, qualified personnel.
- All applicable safety and accident prevention regulations must be observed.
- Safety devices must not be removed.
- Please observe the technical data of the device specified in this datasheet.
- The device must be disconnected from the power supply prior to installation, assembly or dismantling.