

GAT Access 6500 Access Control Terminal

Application

The GAT Access 6500 is a stylish terminal for access control in leisure facilities such as swimming pools, spas and gyms. Identification at the terminal is by contact-free RFID data carrier (Radio Frequency Identification).

The clear interface guides the user through the various, well-structured levels. The different versions (see order information) give technological flexibility.



Function description

The GAT Access 6500 reads contact-free data carriers and checks and grants authorisations. The user holds the data carrier over the round scan field and selects the required service via the acknowledge key. The integrated traffic light display and acoustic signal indicate authorisation.

Further functions:

- Activation of turnstiles, doors etc. via relay outputs
- Feedback inputs
- Illuminated, round scan field
- Secure data transmission between reader and data carrier
- Security via mechanical lock
- Plug & Play installation

Order information

Description	PartNo.
GAT Access 6500 B Access control terminal with monochrome display and contact-free reader for LEGIC® data carriers	652278
GAT Access 6500 F Access control terminal with monochrome display and contact-free reader for MIFARE™ data carriers	828889
GAT Access 6500 ISO Access control terminal with monochrome display and contact-free reader for ISO 15693 data carriers	652379

Accessories

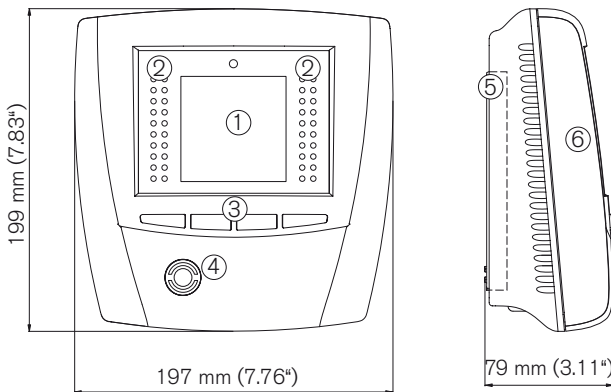
Description	PartNo.
Manual GAT Access 6200/6350/6500 EN Installation, configuration and operating instructions in english	169028
GAT Holder 6050 For mounting the GAT Access 6500 on a turnstile or other applications	654179

Technical data

Nominal voltage:	12/24 VDC (SELV - safety extra-low voltage)
Permitted input voltage:	10 to 28 VDC
Aver. power consumption:	10 W
Data storage:	Internal flash memory for configuring and booking memory, data preservation min. 10 years
Internal clock:	Data preservation approx. 12 h (Gold-Cap)
Reader type:	See order information
Control elements:	- 4 function keys - RFID reader
Display elements:	- Full graphics monochrome display with white LED background lighting, resolution 128 x 128 pixels, visible area 65 x 65 mm - RFID reader (illuminated) - Acoustic signal - Large integrated traffic light display (green = access granted, red = access denied)
Host interface:	Ethernet 10/100 Mbit/s and RS 485

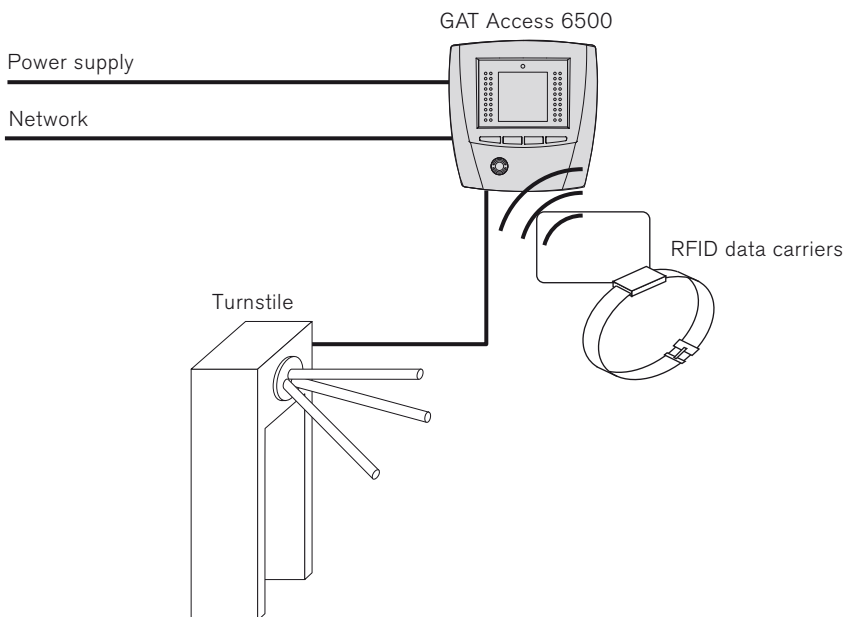
Signal inputs:	3 x optocouplers (configurable) - Input voltage: 0 to 30 VDC $U_{Low} < 2 \text{ VDC}$, $U_{High} > 6 \text{ VDC}$ - Input current: 4.5 mA
Signal outputs:	4 x relays (configurable NO/NC) - Switching voltage: max. 30 VAC/DC - Continuous current: max. 2 A - Switching power: max. 60 VA
Connection terminals:	0.5 to 1.5 mm ²
Housing material:	Plastic (PC-ABS), halogen-free
Dimensions:	197 x 199 x 79 mm (7.76 x 7.83 x 3.11 inch)
Permitted ambient temperature:	-10 to +55°C
Storage temperature:	-20 to +70°C
Relative humidity:	20 to 80%, non-condensing
Protection type:	IP 54
Protection class:	III
Weight:	0.8 kg
Environment class based on VDS 2110:	II (conditions in indoor areas)

Dimensions



1. Monochrome display
2. Traffic light display (red/green)
3. Function keys
4. Illuminated, round scan field
5. Mounting frame
6. Display unit

Typical application



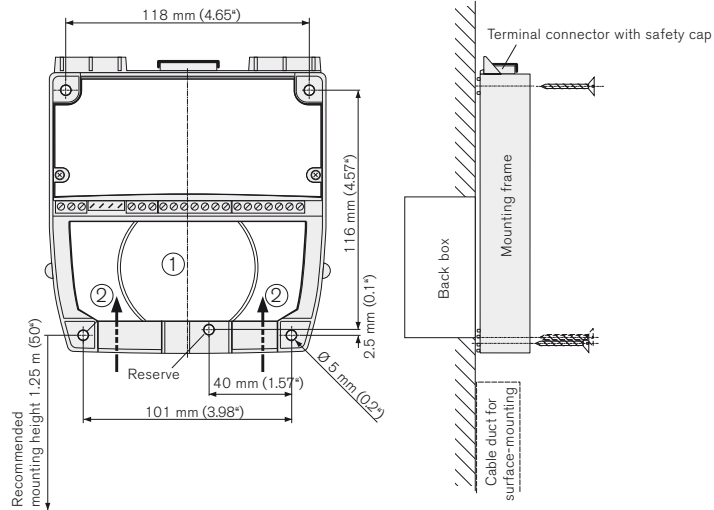
Mounting and installation instructions

The mounting frame is secured by screws to the wall or the GAT Holder 6050. Recommended mounting height see pictures below. Please use the supplied drilling template when mounting the device.

Wall mounting

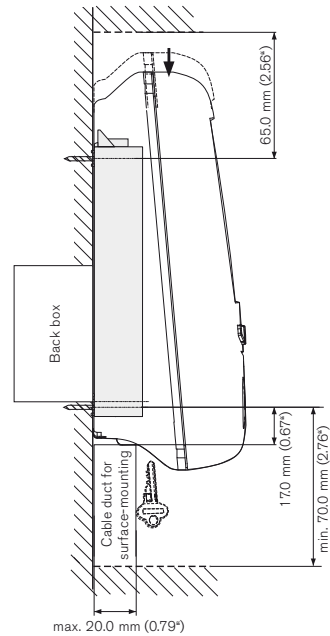
Cables can be flush (1) or surface-mounted (2).

When surface mounting please check whether the cables can still be inserted once the frame has been mounted, otherwise run the cables through the cable lead-ins prior to securing.



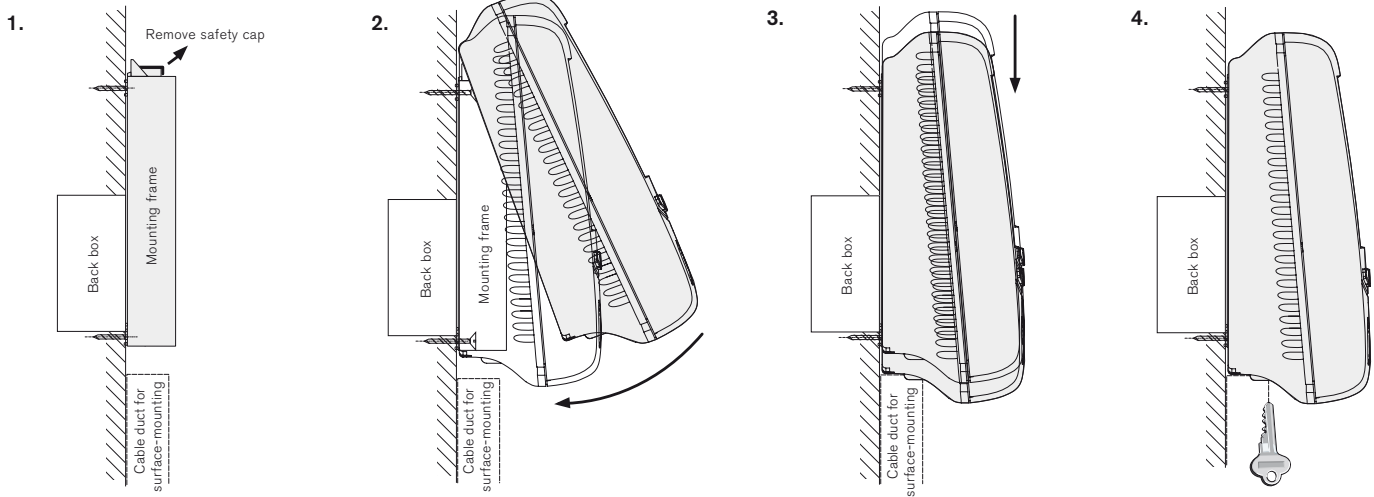
Required mounting space

On securing the mounting frame please ensure the specified clearances are observed to allow for removal and locking.



Mounting the display unit

Once the connecting cables are wired up, the display unit is fixed onto the mounting frame and secured with the built-in mechanical lock.

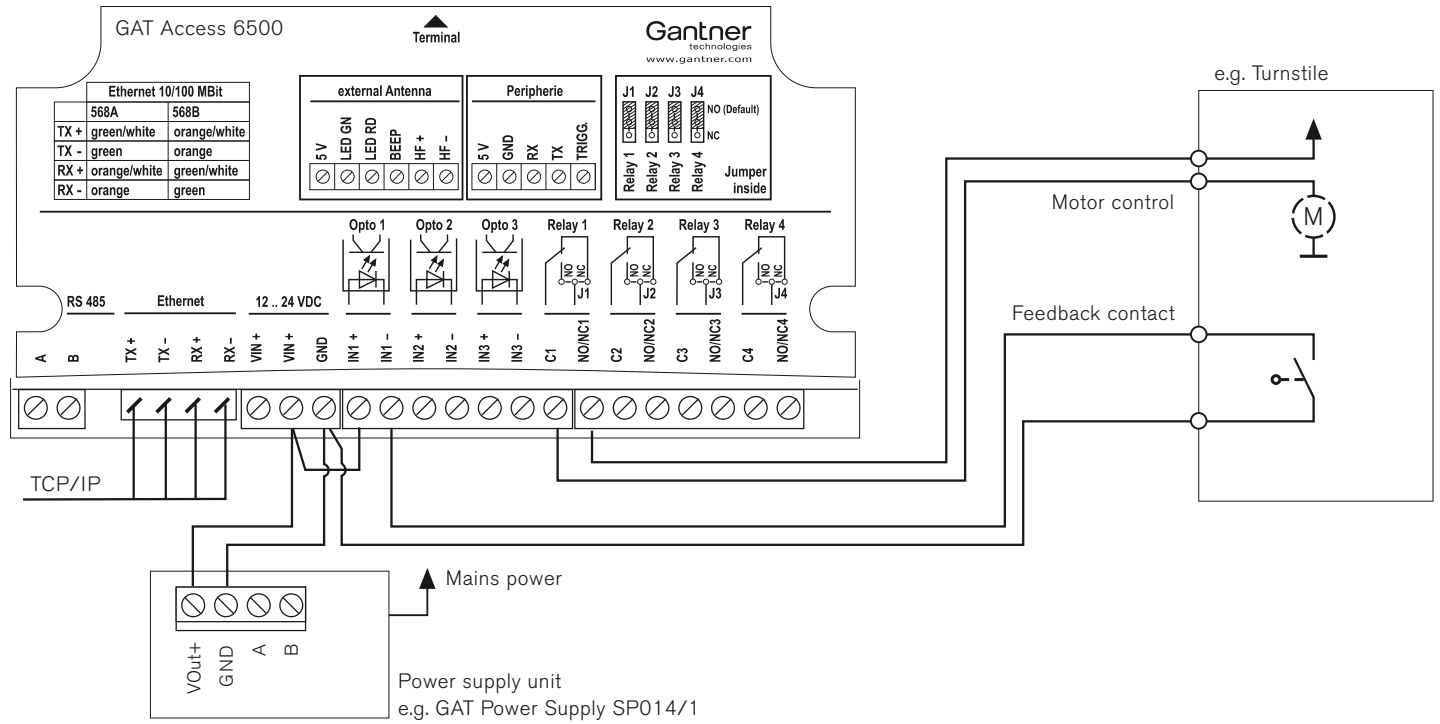


Instructions:

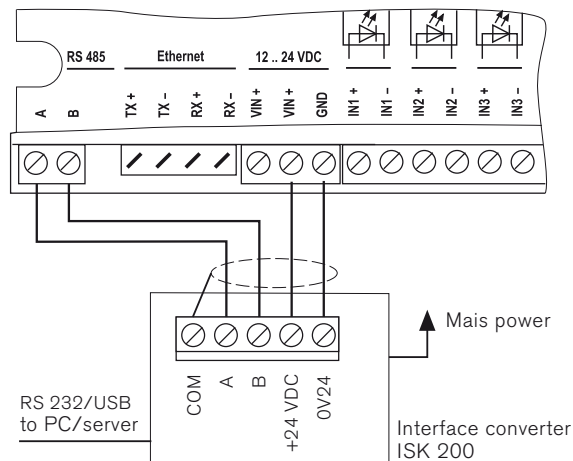
1. Only remove the terminal connector safety cap shortly before mounting the display unit.
2. Rest the display unit with its top edge on the mounting frame and swing down.
3. Push down the display unit until it clicks into the mounting frame.
4. Lock the terminal with the key and keep it in a safe place!
5. Once mounting is complete, the protective film can be removed.

Electrical connections

TCP/IP with external power supply



RS 485 with power supply via interface converter



Relay outputs

For activation of devices like turnstiles etc.. The relay contacts NC (breaker contact) and NO (maker contact) of each relay are on the same screw terminal. To determine which contact is used set jumpers Jx below the cover of the mounting frame. The default setting is NO. Please observe the max. permitted switching voltages and currents (see technical data).

Optocoupler inputs

Inputs for status acquisition. For using the input a supply voltage must be applied. This voltage can be taken from the terminal's supply or from an external power source. Please observe the max. permitted input voltages and currents (see technical data).

Network

RS 485 bus connection or Ethernet.

Attention: The two interfaces must not be operated at the same time! When using RS 485 bus connection only connect the signal lines A and B.

Power supply

DC supply (see technical data), e.g. via GANTNER GAT Power Supply SP014/1 or via the interface converter ISK 200. The two screw terminals "VIN +" are directly connected with each other internally. The power input is protected against reverse-polarity.

Recommended cables

Ethernet: min. CAT 5 (STP) for 100 MBit

RS 485: min. CAT 5 (STP), power supply via 2 wire pairs

Safety instructions

- This device must be installed by qualified personnel only.
- The applicable safety and accident prevention regulations must be observed.
- Safety devices must not be removed.
- Please observe the technical data of the device specified on the data sheet.
- The device must be disconnected from the power supply prior to installation, assembly or dismantling.