

GAT SLA 300 SlimLine RFID Antenna for Entry Control

Application

The RFID antenna GAT SLA 300 is used for identification of persons within entry control systems. The identification is made using RFID (Radio Frequency Identification) data carriers. The evaluation and authorisation is performed by the connected entry control terminal.

The slim shape of the GANTNER SlimLine design allows for installation e.g. on tubular frame doors or slim structure elements.



Functional description

Persons identify themselves with their own data carriers at the GAT SLA 300. The information is read and transferred via the HF interface to a control unit in a secured area, which then makes the authorisation check and controls the unlocking device accordingly. An entry control terminal from GANTNER (GAT Access 6200, GAT ST 210 or GAT ST 260) is used as control unit.

A 2 coloured background lighting of the reader point serves as signalling to users. The 4-segment LED-display at the top of the housing serves as user guidance as well as for display of various status information. A beeper is also integrated in the GAT SLA 300 for acoustic signal feedback.

Highlights

- Ergonomic design in GANTNER look&feel
- Slim shape excellent for mounting on door frames
- Reading and writing of 13.56 MHz RFID data carriers (depending on type of connected terminal LEGIC® Prime, LEGIC® Advant, MIFARE® Standard, HID I-Class, ISO 14443A and ISO 15693)
- Clear signalling with LED bar and illuminated, round scan field
- Easy electrical installation and mounting
- Plug&Play installation
- Smooth and rounded design for ease of access e.g. at turnstiles to prevent baggage etc. getting caught or damaged
- Mounting on metal surfaces is possible
- Suitable for outdoor use

Order information

Description	PartNo.
GAT SLA 300 SlimLine RFID antenna, 13.56 MHz, in housing for surface mounting	909586

Accessories

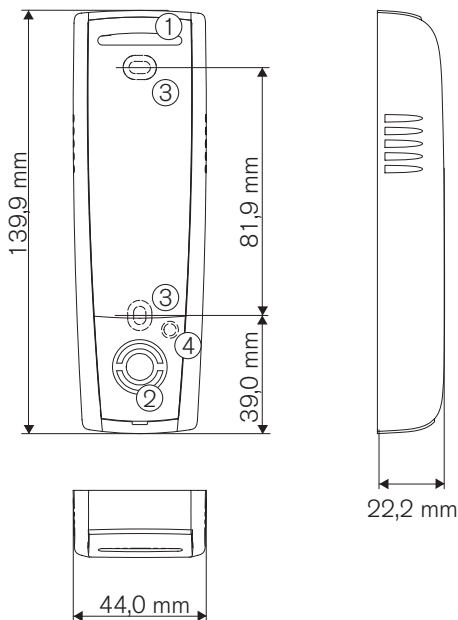
Description	PartNo.
GAT Access 6200 B Entry control terminal with LEGIC® reader	826786
GAT Access 6200 F Entry control terminal with MIFARE® reader	826887
GAT Access 6200 ISO Entry control terminal with ISO 15693 reader	826988
GAT ST 210 Offline access control terminal with LEGIC® reader	434377
GAT ST 260 Online access control terminal with LEGIC® reader	499590

Technical data

Nominal voltage Ubc:	5 V (from control unit)
Frequency reader field:	13.56 MHz
Supported RFID technologies:	(depending on type of conn. terminal) - LEGIC® Prime/LEGIC® Advant - MIFARE® Standard - HID I-Class - ISO 14443A - ISO 15693
Reading distance:	2 - 8 cm (depending on data carrier)
Display elements/signalling	
- Reader:	Background lighting, 2 different colours
- Bar display:	4 LED-segments in 3 different colours
- Akustischer Signalgeber:	Beeper

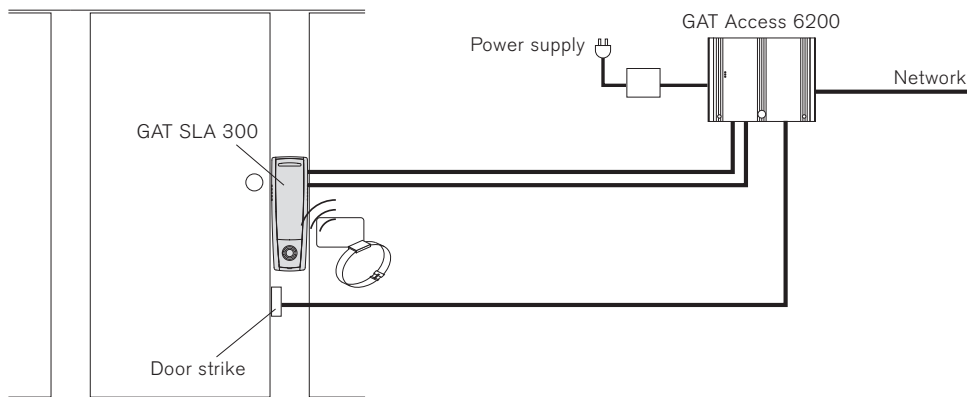
Interface to control unit:	- Data (HF coaxial) - Signal line (power supply, LEDs, beeper)
Housing material:	Plastic
Dimensions:	44 x 139.9 x 22.2 mm
Permitted ambient temperature:	-20 to +70°C
Permitted storage temperature:	-20 to +70°C
Protection type:	IP 64
Protection class:	III
Weight:	0.5 kg
Environment class based on VDS 2110:	III (conditions in outdoor areas)

Dimensions



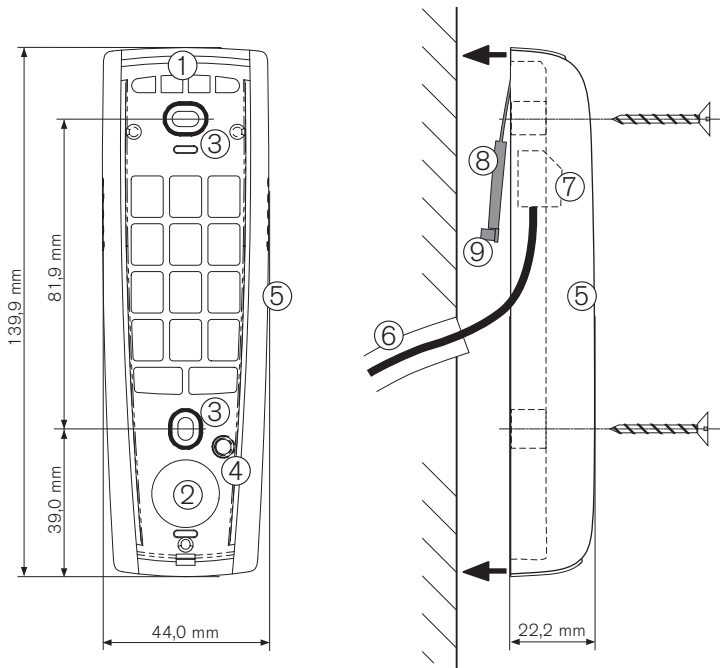
1. LED status display
2. Illuminated round scan field
3. Fastening screws (2 x)
4. Potentiometer for antenna calibration

Typical application



Mounting and installation instructions

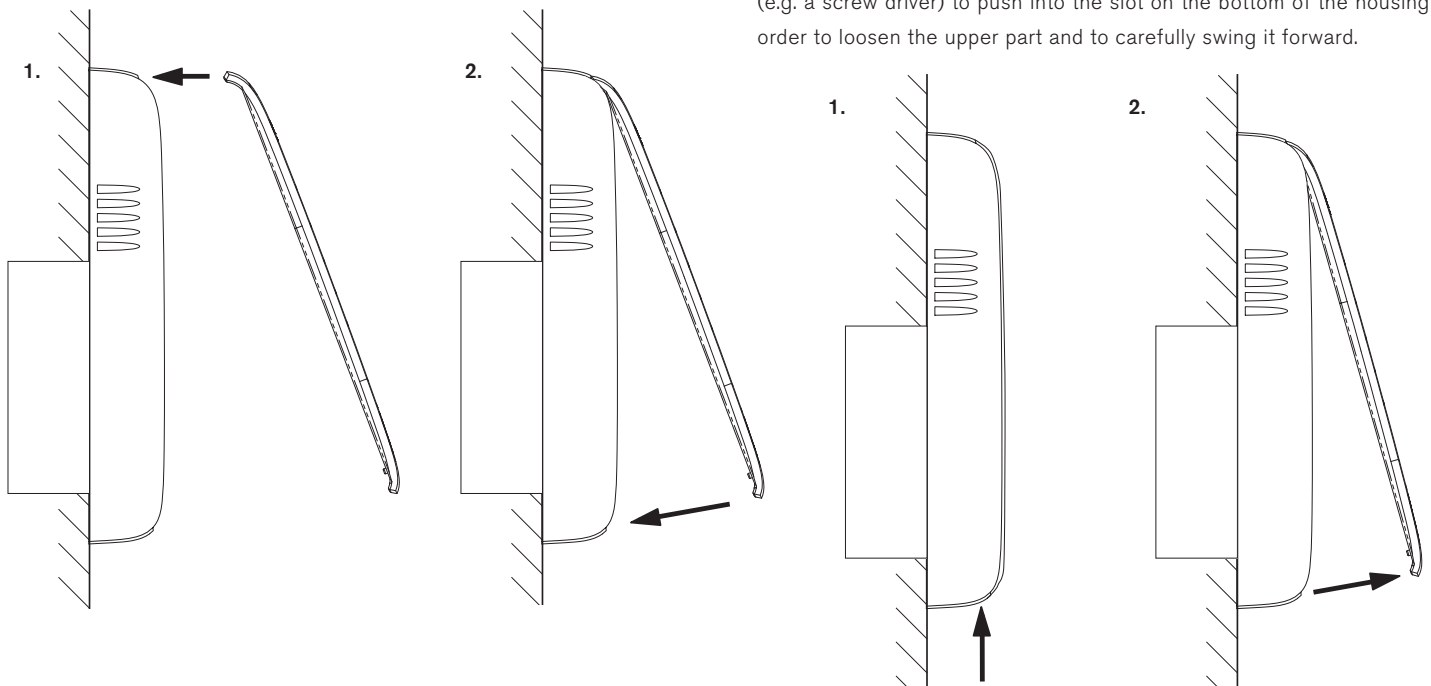
The device back part is mounted to a flat background (e.g. concrete wall). Mounting is also permitted on a metallic background, in which case the internal antenna must be calibrated to adjust the reading field. Recommended mounting height: bottom edge of device 1.3 m.



1. LED status display
2. Illuminated round scan field
3. Fastening screws (2 x)
4. Potentiometer for antenna calibration
5. Device back part
6. Flush-mounted cable
7. Connection terminals
8. Connection terminal cover
9. Sealing cap

Attachment of the device upper part

After mounting and electrical connection the device upper part is clipped onto the device back part as shown by the following figures.



Mounting

First connect the cables according to the electrical connection scheme on page 4. Connection must be made in power-less state. The cables are flush-mounted (6). Please ensure that the cable outlet in the wall isn't visible after mounting the GAT SLA 300. After connecting the cables press the connection terminal cover (8) tightly onto the terminal (for protection against dirt and humidity).

The device back part is fixed to the background with two screws (3). Use proper screws and dowels according to the type of background, in order to guarantee that the GAT SLA 300 is attached securely.

If the GAT SLA 300 is mounted in outside area, the sealing cap (9) must be cut-off from the terminal cover and plugged into the opening of the potentiometer (4) for protection against dirt and humidity. If necessary first calibrate the internal antenna with the potentiometer.

Calibration of internal antenna

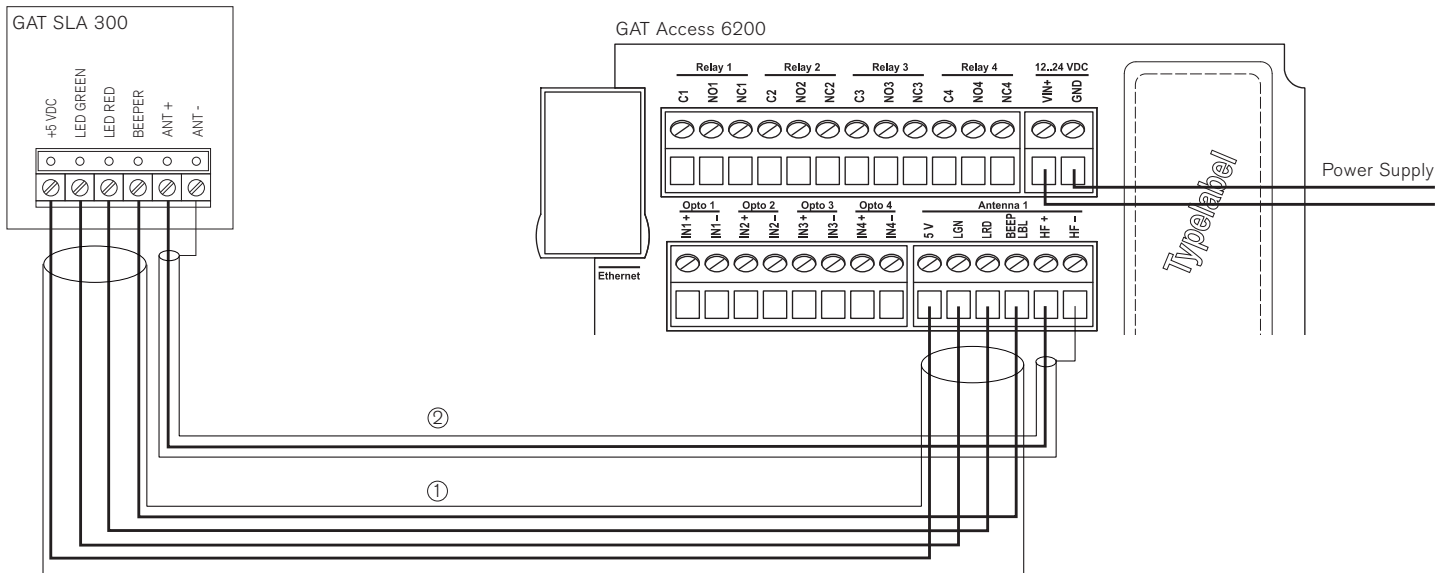
For correct adjustment of the RFID reading field the internal antenna can be calibrated using the calibration potentiometer (4). Therefore first connect the GAT SLA 300 to the terminal (see page 4). Use a non-metallic screw driver to turn the potentiometer and simultaneously use a GAT Power Meter 1000 (PartNo.: 370010) or a data carrier to test the strength of the RFID reading field. Use one of the data carriers that will also be used in the entry control system later.

Removing the device upper part

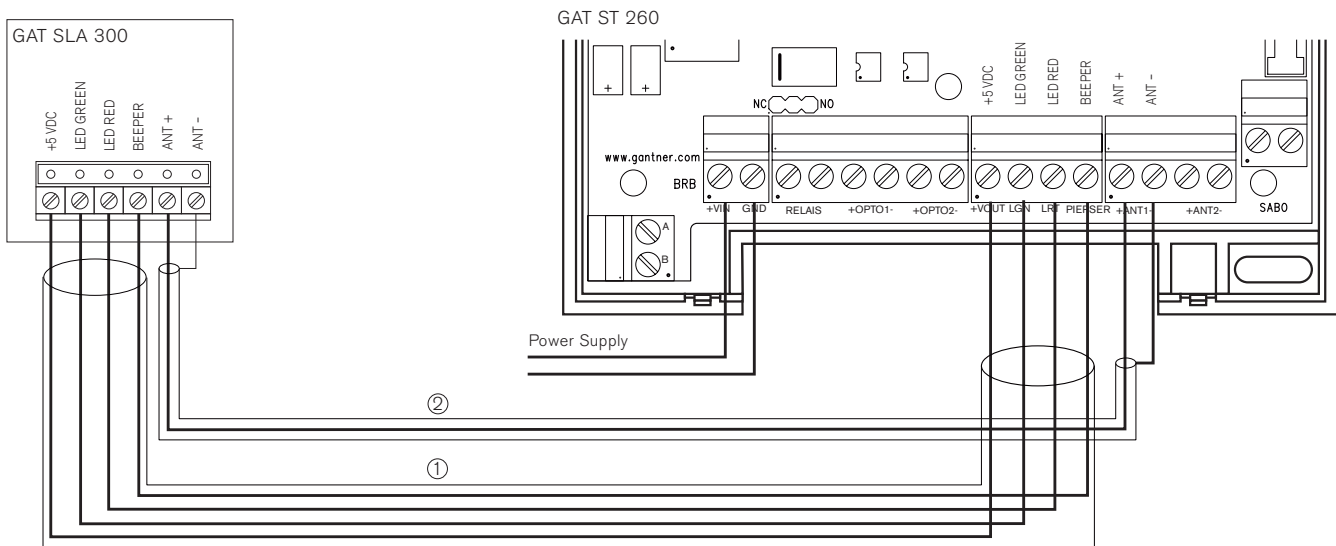
If the GAT SLA 300 must be dismantled, e.g. in case of maintenance work, the device upper part must be removed. Therefore use a flat tool (e.g. a screw driver) to push into the slot on the bottom of the housing in order to loosen the upper part and to carefully swing it forward.

Electrical connections

Connection to GAT Access 6200



Connection to GAT Terminal 2500



Power supply

DC power supply (see technical data) from the connected control unit.

Recommended cable / cable length

Signal cable (1): shielded data line (recommendation e.g. CAT5)




Antenna cable (2): 50 Ω coax cable (recommendation RG 58 or RG 316)

Cable length depends on the control unit, max. 40 m.

Connectable to the following control units

- GAT Access 6200 B/F/ISO
- GAT ST 210
- GAT ST 260

Safety instructions

-  - This device must be installed by qualified personnel only.
-  - The applicable safety and accident prevention regulations must be observed.
- Safety devices must not be removed.
- Please observe the technical data of the device specified on the data sheet.
-  - The device must be disconnected from the power supply prior to installation, assembly or dismantling.